

SCHOOLS

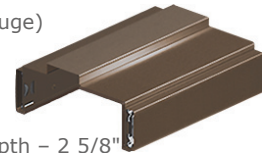


- Uniformity of all interior doors and frames – including stairwells and double egress frames
- Economical solution without sacrificing performance or quality
- Fire rated sidelights and borrowed lights available
- Ideal for either wood stud or steel stud framing
- Adaptable to specialized hardware requirements

CLASSIC FRAME S C

S-Series (20 gauge)

General use for all interior openings.



Minimum Jamb Depth – 2 5/8"

Maximum Jamb Depth – 5 3/8"

Fire Rating – 90 Minutes (Minimum Jamb Depth 3 3/8" for rating)

Maximum Door Weight – 500 lbs.

C-Series (18 gauge, Factory Prefinished)

General use for all interior openings requiring additional strength and impact resistance of 18 gauge steel.

Minimum Jamb Depth – 2 5/8"

Maximum Jamb Depth – 13"

Fire Rating – 90 Minutes (Minimum Jamb Depth 3 3/8" for rating)

Maximum Door Weight – 500 lbs.

FRAME SELECTION RECOMMENDATIONS

Classic
Classic
Adjustable
Kerfed
Adjustable Kerfed
Double Egress
Pocket Trim

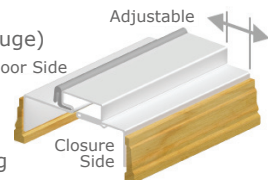
	Frequency	S	C	A	CK	AK	DE	P
Common Areas	Main Entrance	H	•	•	•	•	•	•
	Secondary Entrance	M	•	•	•	•	•	•
	Corridor Offices	M	•	○	○	P	•	•
	Interior Offices	L	○	P	○	○	•	•
	Restrooms	M	•	○	○	P	•	•
	Meeting Rooms	M	•	○	○	P	•	•
	Classrooms	M	•	○	○	P	•	•
	Mechanical/Electric	L	•	○	○	P	•	•
	Gymnasium	M	•	•	•	•	•	•
	Library	M	•	○	○	P	•	•
	Closet	L	○	P	○	•	•	•
	Stairwell	M	•	○	•	P	•	•
	Sidelight		•	P	•	•	•	•
	Borrowed Light		○	P	○	•	•	•
Corridors – Dbl Egress	L	•	•	•	•	•	P	•

FREQUENCY H = High M = Medium L = Low
USE OF FRAME P = Preferred ○ = Optional • = not recommended

ADJUSTABLE FRAME A

A-Series (18 gauge)

Use for interior openings with uneven or odd sized walls requiring non-stock wall size.



Adjustable jamb thickness makes this frame Ideal for remodel projects.

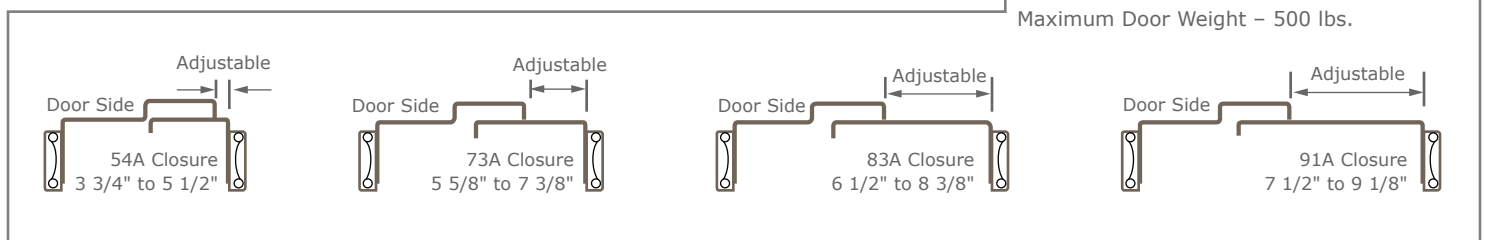
Shown with Wood Casing **supplied by others** as example.

Minimum Jamb Depth – 3 3/4"

Maximum Jamb Depth – 9 1/8"

Fire Rating – 90 Minutes

Maximum Door Weight – 500 lbs.



SCHOOLS

KERFED

CK

CK-Series (18 gauge)

Use for interior and exterior openings requiring a seal against smoke, sound, weather, and light. Kerfed stop with factory installed seal.



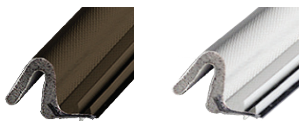
Shown with TA-8 Steel Casing as example.

Minimum Jamb Depth – 4"

Maximum Jamb Depth – 8"

Fire Rating – 90 Minutes

Maximum Door Weight – 500 lbs.



TA-46 Gasket: Weather Strip/Smoke Seal. Available in Browntone and White.

Note: Specify Color and Length.

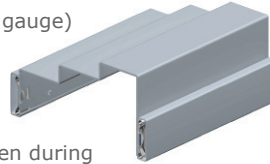


DOUBLE EGRESS FRAME

DE

DE-Series (18 gauge)

Use for cross corridor fire separation where doors are held open during normal use.



Minimum Jamb Depth – 4 3/4"

Maximum Jamb Depth – 10 3/4"

Fire Rating – 90 Minutes

Maximum Door Weight – 250 lbs.

ACCESSORY HARDWARE

TA-10 Regular Arm Closer Reinforcement – Can be used for All Frames

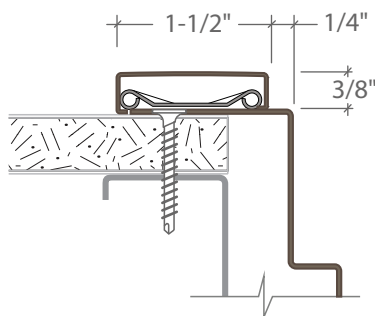
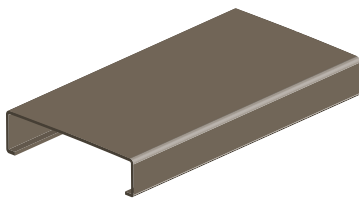
TA-12 Parallel Arm Closer Reinforcement – Classic Frames only

TA-47 Parallel Arm Closer Reinforcement – Kerf Frames only

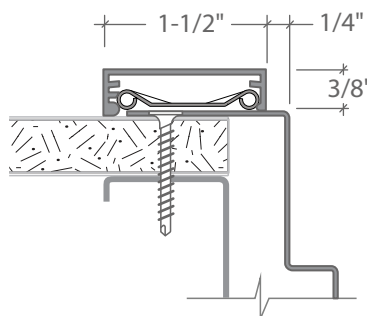
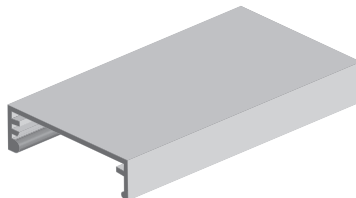


CASING RECOMMENDATIONS

TA-8 Steel



TA-23 Aluminum



TA-28 Aluminum

