

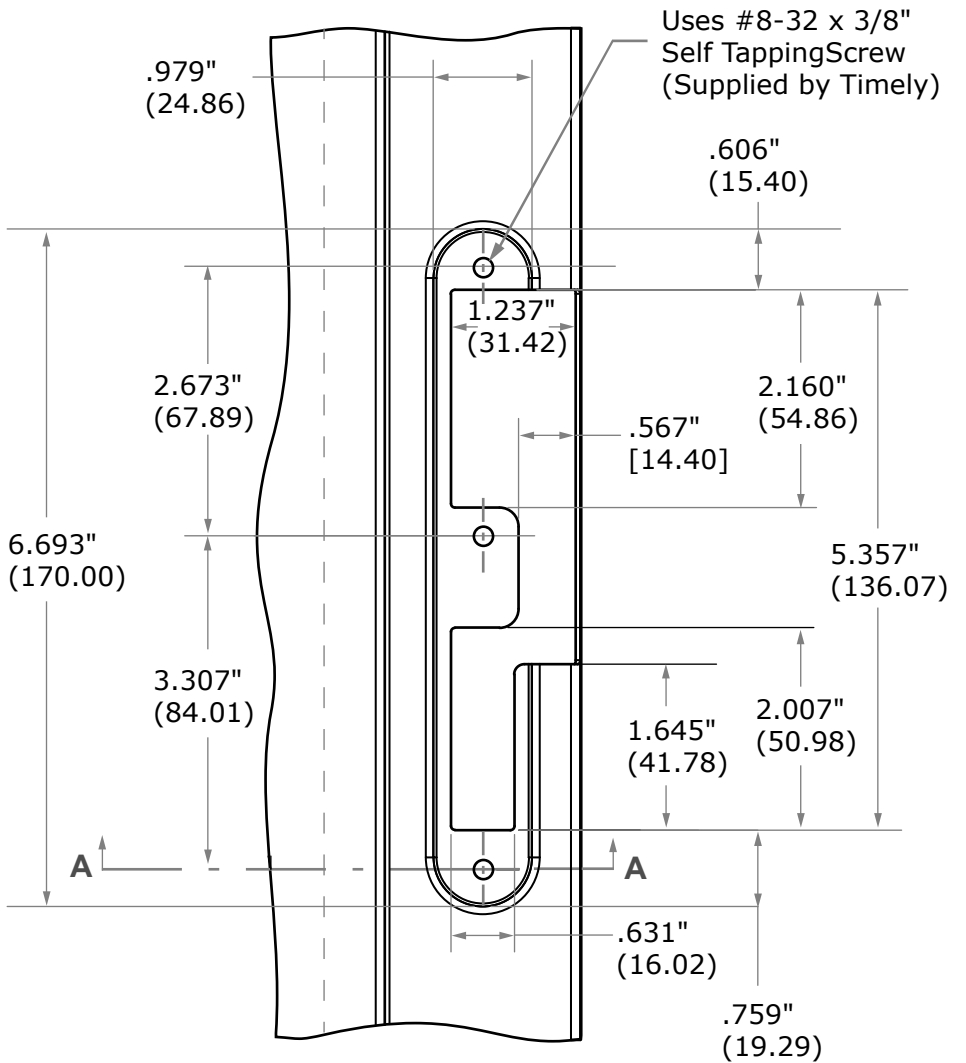
NOT TO SCALE

.312"
(7.92)



TA-20
Screw

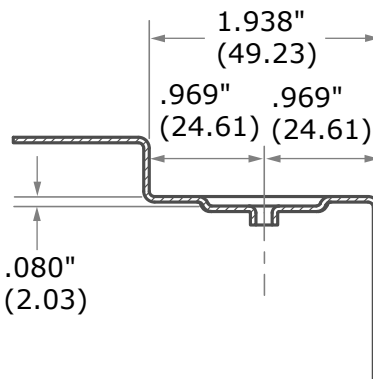
#8-32 x 3/8
Self Tapping Screw
tap size #29 drill
0.136"



Section A-A

Classic
C-Series

Adjustable
A-Series



Euro D - #8 screws

Template
S-89