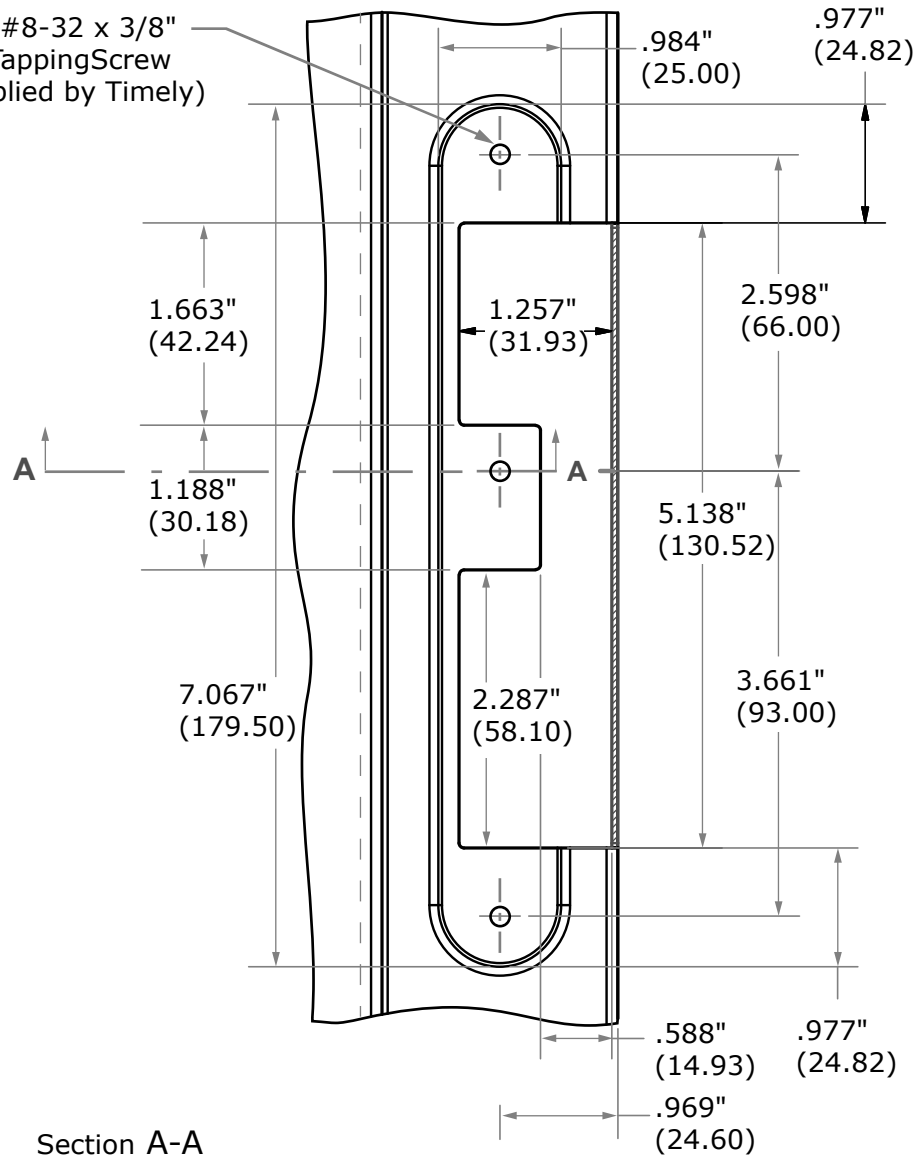


Uses #8-32 x 3/8"
Self Tapping Screw
(Supplied by Timely)



NOT TO SCALE

.312"
(7.92)



TA-20
Screw

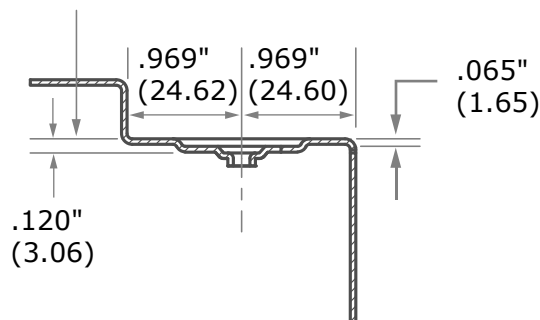
#8-32 x 3/8
Self Tapping Screw
tap size #29 drill
0.136"

Section A-A

Classic
C-Series

Adjustable
A-Series

CLEARANCE FOR STRIKE
COUNTERSINKS



Euro C - #8 s crews

Template
S-88