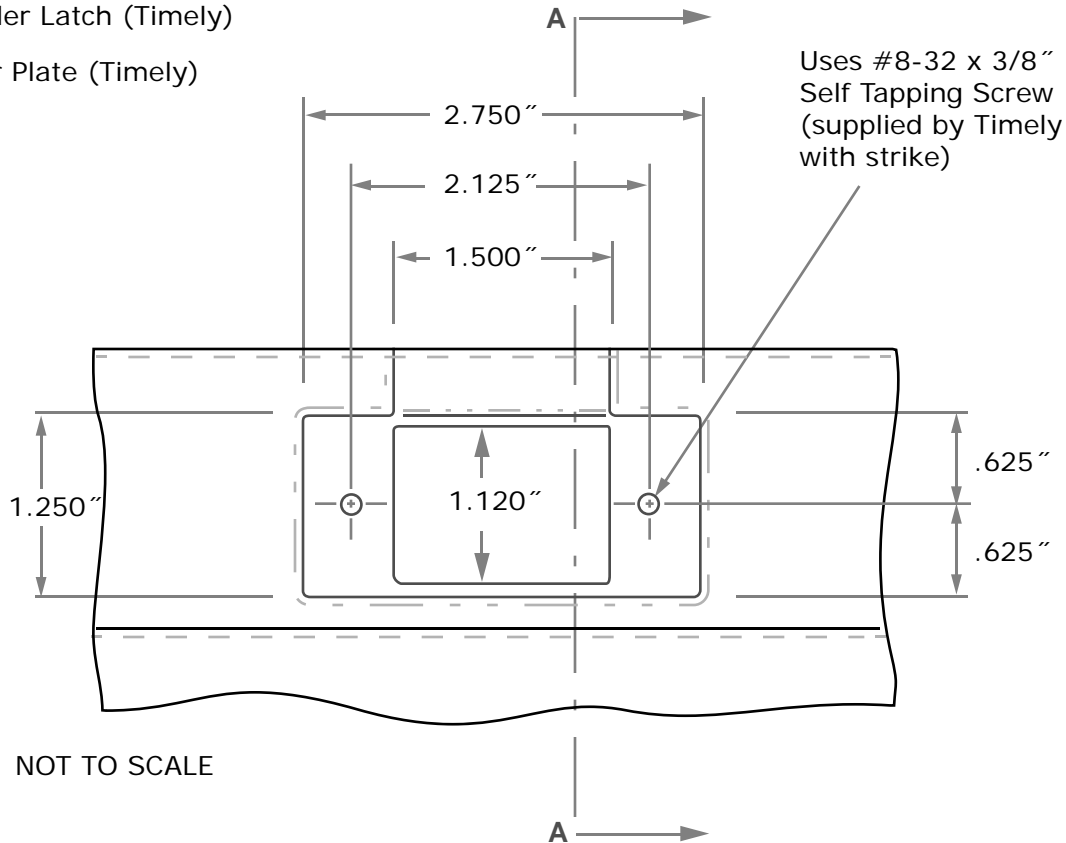


### Compatible Strike Plates:

- TA-1 Adjustable T-Strike (Timely)
- TA-71 Roller Latch (Timely)
- TA-2 Filler Plate (Timely)



### Section A-A

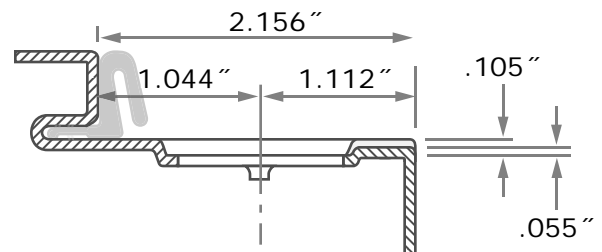
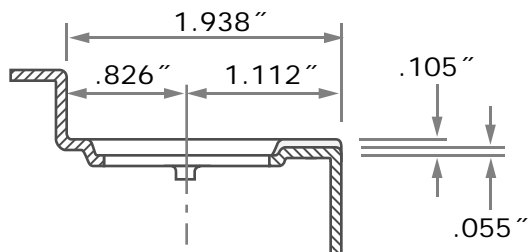
Classic  
S-Series

Classic  
C-Series

Adjustable  
A-Series

Kerfed  
CK-Series

Adjustable Kerfed  
AK-Series



### • Flush Bolt - Self Latching

Template  
**S-73**