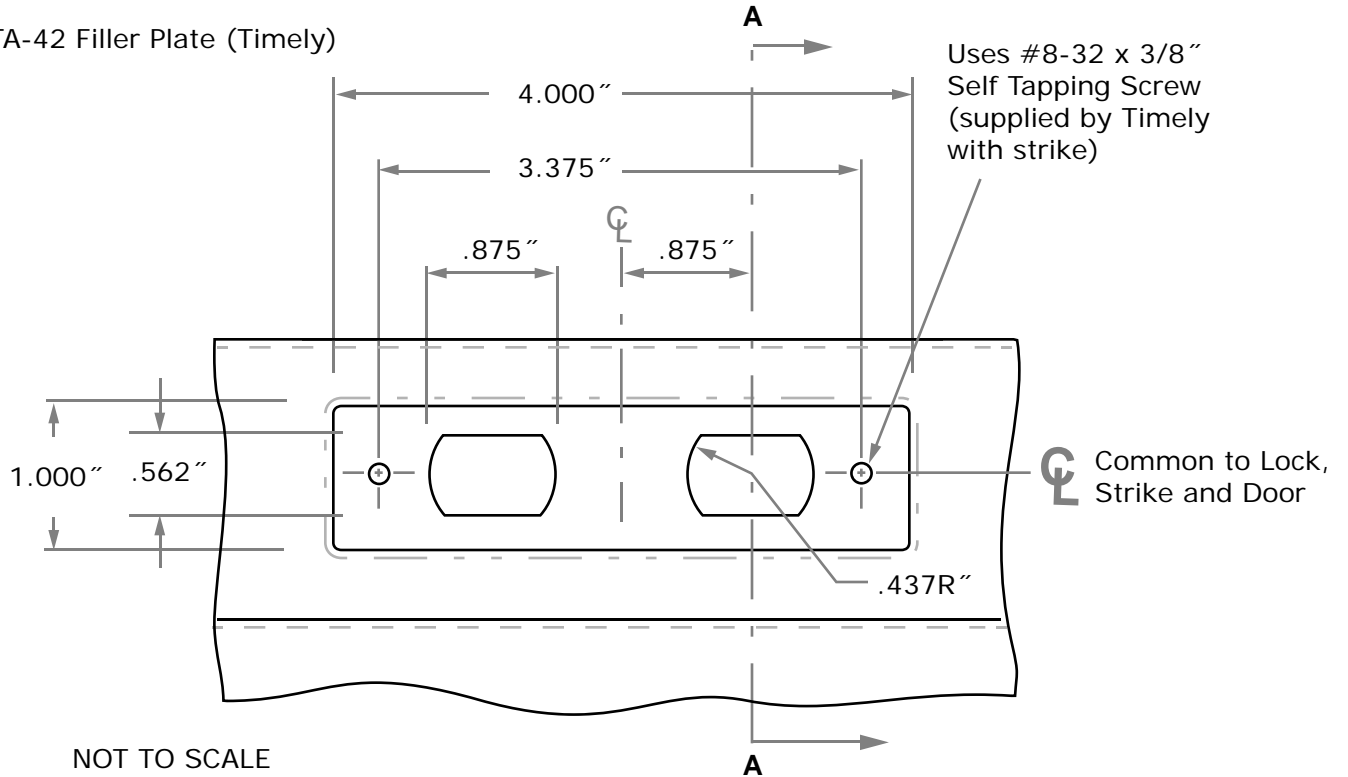
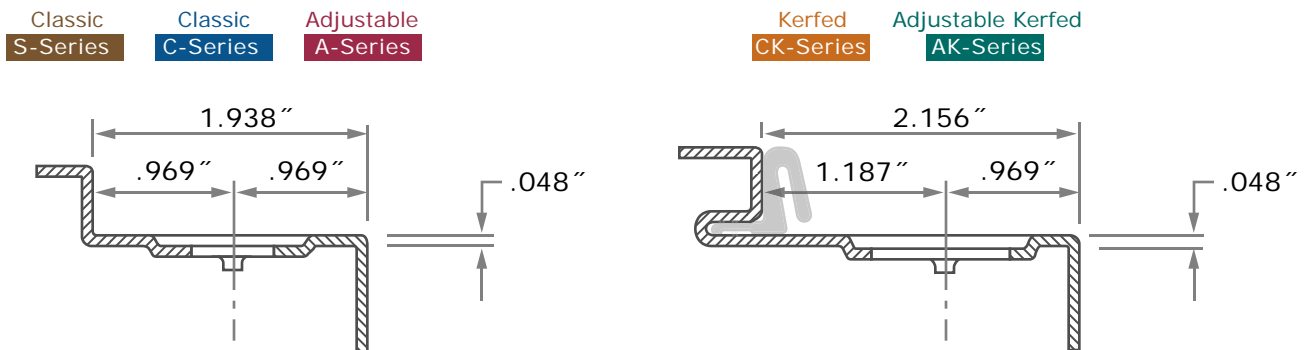


Compatible Strike Plates:

- TA-40 Reversible Flush Bolt Strike (Timely)
- TA-42 Filler Plate (Timely)



Section A-A



• Flush Bolt - Reversible

Template
S-72