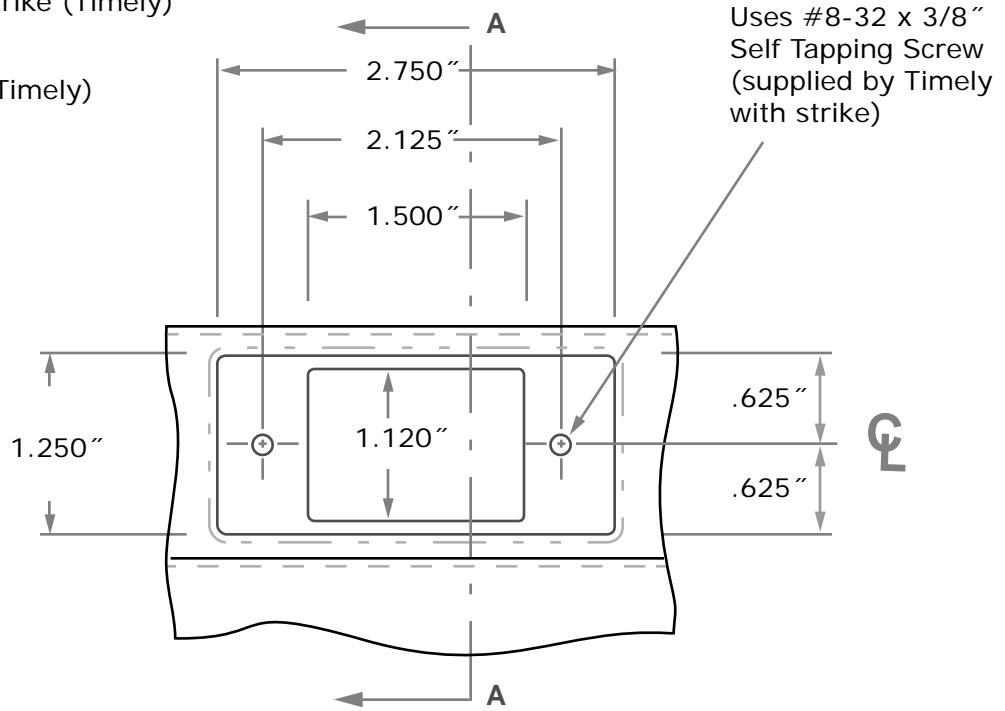


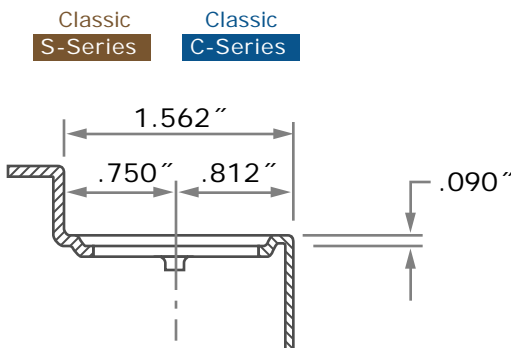
Compatible Strike Plates:

- TA-52 Flush Bolt Strike (Timely)
w/5/16" hole
- TA-53 Flush Bolt Strike (Timely)
w/1/2" hole
- TA-17 Filler Plate (Timely)



NOT TO SCALE

Section A-A



• Flush Bolt - Commercial

Template
S-70