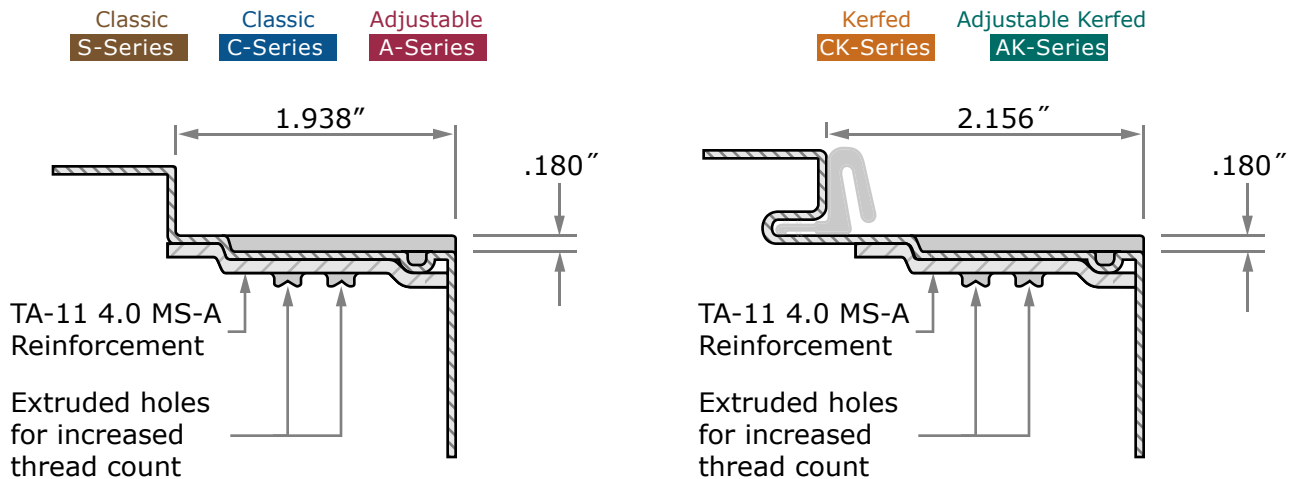


Section A-A



4" Hinge Preparation - (Masonite) Screw Pattern

Template
H-09DD

Standard Weight - 5/8" radius "DOUBLE DEPTH EMBOSS"

Rev.No. 2/12