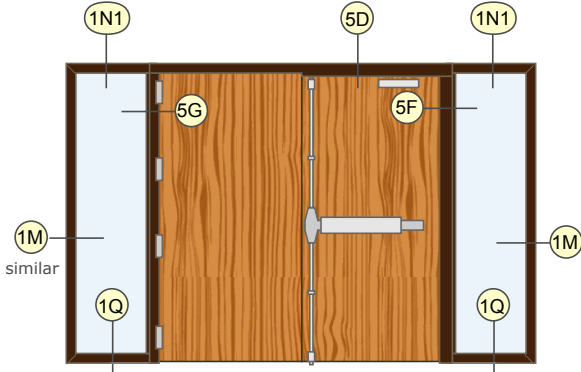
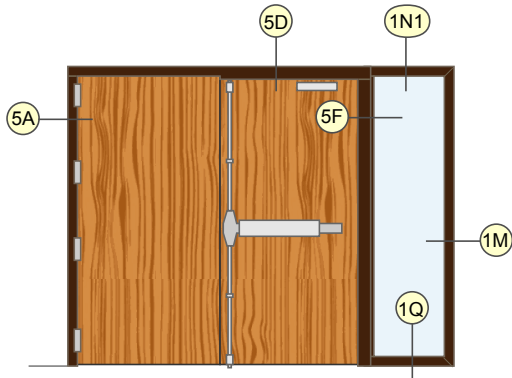
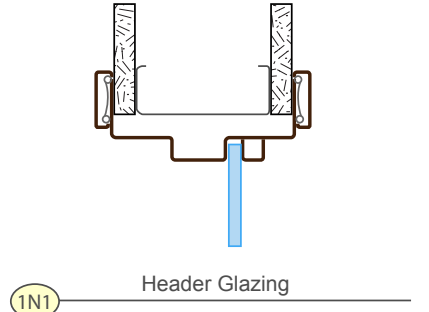
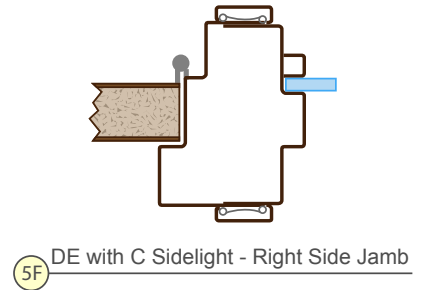
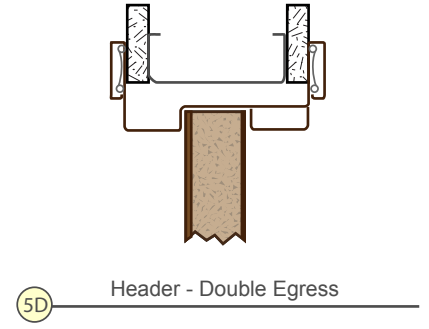
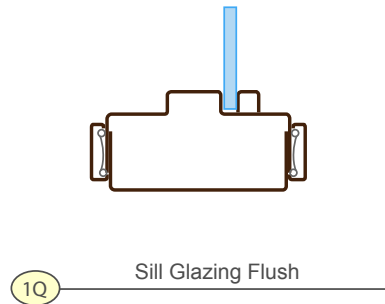
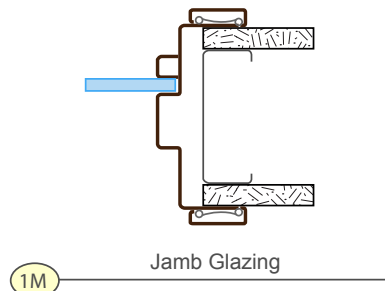
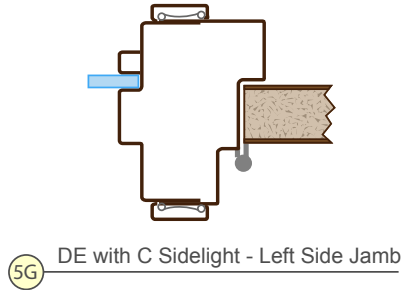
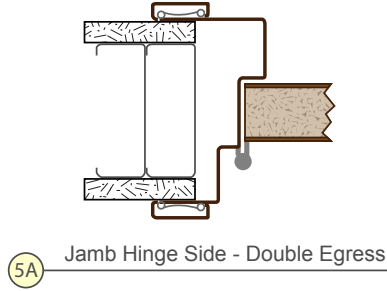
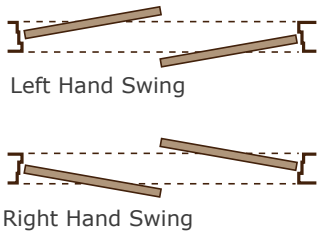


DOUBLE EGRESS FRAME (DE-Series) with CLASSIC (C-Series) Sidelight (s)

Shown with TA-8 Steel Casing as example.



Double Egress Pair with Sidelight(s)



RELATED INFORMATION

SOUND

FRAME MATERIALS	DOOR SIZE AND WEIGHT	JAMB DEPTH RANGES	RATINGS
Pre-Finished Steel	Door Thickness: 1 3/4" only Max. Door Weight: 250 Lbs. Max. Door Width: 2 X 4' - 0" Max. Door Height: 8' - 0"	Jamb Depths: 4 7/8" to 12 3/4" in 1/8" increments.	Not Available

All widths and heights are inside dimensions - net door or glass opening size.

DOUBLE EGRESS FRAME (DE-Series) with CLASSIC (C-Series) Sidelight (s)

FIRE RATING DOOR AREA - DOUBLE EGRESS (DE-Series) Pair

JAMB DEPTH RANGE	45, 90 MINUTE	GENERAL INFORMATION
Min. Jamb Depth: 4 7/8" Max. Jamb Depth: 12 3/4"	Max. Width: 8' - 0" Max. Height: 8' - 0"	<ol style="list-style-type: none"> All openings approved for Positive and Neutral pressure unless otherwise noted. All ratings apply to steel stud, wood stud, or masonry construction. All ratings approved for category "A" and "B" doors with category "G" edge sealing. Timely's fire rated <i>Metal "U" Insert</i> is recommended for masonry installations. If wood sub-frame is used in place of <i>Metal "U" Insert</i>, it will be necessary to use fire rated drywall on both sides of wood to maintain fire rating. Wood or Aluminum casing does not affect ratings on door frames. Wood casing must be applied with hot melt glue or contact adhesive on 90 minute rated frames and on all glazed openings with 45 minute or 60 minute rating. On all other fire rated frames, wood casing can be applied with nails or finish head screws on jambs and mullions.
<p>All dimensions shown are inside dimensions - net door opening size.</p> <p>Distributors of Timely Frames may be approved to purchase labels and apply them to frames at their own facility. Intertek has set guidelines and a fee schedule for this program. Requirements and prices are available from Timely or Intertek.</p>		

FIRE RATING SIDELIGHT (S) - CLASSIC (C-Series) Pair with Glazing

ASSEMBLY	GLASS AREA*	GENERAL INFORMATION		
Max. Width: 9' - 7 " Max. Height: 9' - 11"	<table border="0"> <tr> <td style="vertical-align: top;"> Width: up to 2' Max. Height: 8' - 11" </td> <td style="vertical-align: top;"> Width: over 2' up to 3' ** Max. Height: 4' - 6' ** </td> </tr> </table> <p>Visible light is 1" less in width and height</p>	Width: up to 2' Max. Height: 8' - 11"	Width: over 2' up to 3' ** Max. Height: 4' - 6' **	<ol style="list-style-type: none"> All openings are approved for Positive and Neutral pressure unless otherwise noted. All ratings apply to steel stud, wood stud, or masonry construction. All ratings approved for category "A" and "B" doors with category "G" edge sealing. Timely's fire rated <i>Metal "U" Insert</i> is recommended for masonry installations. If wood subframe is used in place of <i>Metal "U" Insert</i>, it will be necessary to use fire rated drywall on both sides of wood to maintain fire rating. Aluminum casing does not affect fire rating. Wood casing must be applied with hot melt glue or contact adhesive on 90 minute rated frames and on all glazed openings with 45 minute or 60 minute rating. On all other fire rated frames, wood casing can be applied with nails or finish head screws on jambs and mullions.
Width: up to 2' Max. Height: 8' - 11"	Width: over 2' up to 3' ** Max. Height: 4' - 6' **			
<p>Glazed transom frames available with 20 min. or 45 min. rating only. For transoms over 3' in width, a center mullion is required to comply with fire rating requirements. See Glass area I imitations shown.</p> <p>All dimensions shown are inside dimensions - net door opening size.</p> <p>* Multiple Glass Areas can be created with Mullions. The only limitations are Max. Assembly Width and Height.</p> <p>** For glass widths exceeding 24" the maximum glass area is 1296 sq. in. unless approved by local AHJ.</p> <p>Distributors of Timely Frames may be approved to purchase labels and apply them to frames at their own facility. Intertek has set guidelines and a fee schedule for this program. Requirements and prices are available from Timely or Intertek.</p>				

DOUBLE EGRESS FRAME (DE-Series) with CLASSIC (C-Series) Sidelight (s)

ROUGH OPENING DIMENSIONS

WIDTH

For a pair of Double egress doors, the rough opening width is 2 1/2" larger than the total nominal width of the doors. Since the doors mount on the "stop" area rather than the "rabbet", the frame is actually 1 1/4" wider than a standard pair frame.

Width is sum of the nominal widths of both doors leaves

ROUGH OPENING: Total door width + astragal (if used) + glass width(s) + 2" for each Mullion + 2 1/2"

HEIGHT

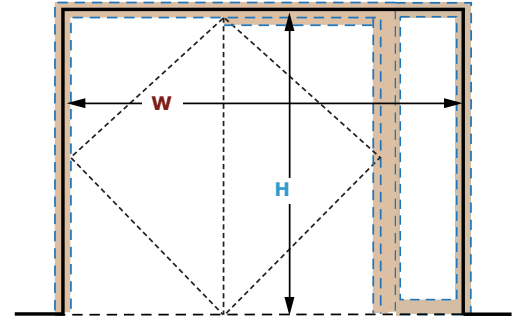
For a pair of Double Egress doors, the rough opening height is 1" over nominal height or 13/16" over net height. Since Timely standard frames are actually 3/16" longer than the nominal height (Timely 7'0" frames are actually 7'0 3/16" long)

Timely Standard Height – 3/16" over nominal height

ROUGH OPENING: Nominal height plus 1"

Net Height – for frames prepared to other manufacturers' locations

ROUGH OPENING: Net height plus 13/16"



W = Total door width + astragal (if used) + glass width(s) + 2" for each Mullion + 2 1/2"

H = Timely nominal height + 1"

H = Net height + 13/16"

WIDTH

For a pair of Double egress doors, the rough opening width is 2 1/2" larger than the total nominal width of the doors. Since the doors mount on the "stop" area rather than the "rabbet", the frame is actually 1 1/4" wider than a standard pair frame.

Width is sum of the nominal widths of both doors leaves

ROUGH OPENING: Nominal Door width(s) + astragal width (if mounted between the doors) + 2 1/2"

HEIGHT

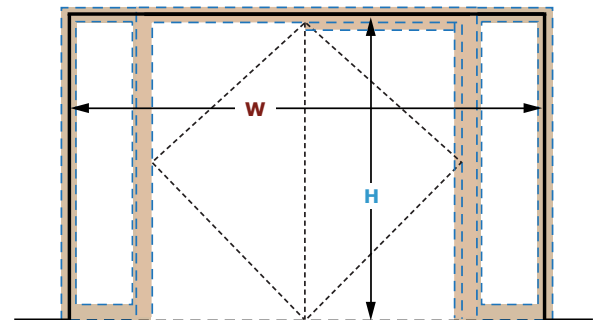
For a pair of Double Egress doors, the rough opening height is 1" over nominal height or 13/16" over net height. Since Timely standard frames are actually 3/16" longer than the nominal height (Timely 7'0" frames are actually 7'0 3/16" long)

Timely Standard Height – 3/16" over nominal height

ROUGH OPENING: Nominal height plus 1"

Net Height – for frames prepared to other manufacturers' locations

ROUGH OPENING: Net height plus 13/16"



W = Total door width + astragal (if used) + glass width(s) + 2" for each Mullion + 2 1/2"

H = Timely nominal height + 1"

H = Net height + 13/16"