

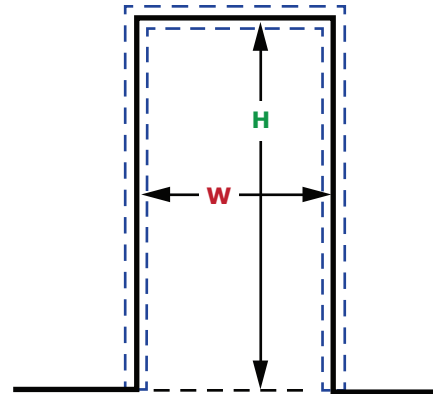
ROUGH OPENING DIMENSIONS

THREE SIDED DOOR FRAMES

WIDTH

Rough opening width is 1 1/4" over nominal door width. This provides for 5/8" clearance between the jamb and the wall. This clearance is necessary for the pocket on the strike and the projection of the hinge screws. Frames can be installed with smaller opening widths but, in some cases, the framing must be relieved to provide the necessary clearance for plumbing the frame and installing the hardware. Opening width maximum is 1 7/8" which allows 5/16" of the frame face against the wall. For wider rough openings, the frame must be positioned with equal clearance on both sides. (Use oval alignment slots to adjust clearance when installing)

Rough opening width: Standard Frames (S,C,CK,E,A) - Nominal door width + 1 1/4"
 Double Egress Frames (DE) - Nominal door with + 2 1/2"



W = Nominal Width + 1 1/4"
H = Nominal Height + 1" (Timely standard height)
H = Net Height + 13/16" (All other frame specs)

HEIGHT

Rough Opening height must provide clearance to level the header and interlock the jamba. Uneven floors will affect this measurement. Maximum space for adequate anchorage is 1 3/16" over net height resulting in approximately 5/16" of the frame face against the wall. While this is not recommended, the frame can still be installed.

Timely standard height - 3/16" over nominal.

Rough opening height: Nominal Height + 1" (Net height + 13/16")

Net Height - Frames manufactured to net heights

Rough opening height: Net height + 13/16"

ROUGH OPENING DIMENSIONS

DOOR FRAMES WITH SIDELIGHT(S) – NO TRANSOM

WIDTH

Opening width area will vary if using a partial height or stepped sidelight. The opening dimension is calculated separately for each "step" in the sidelight.

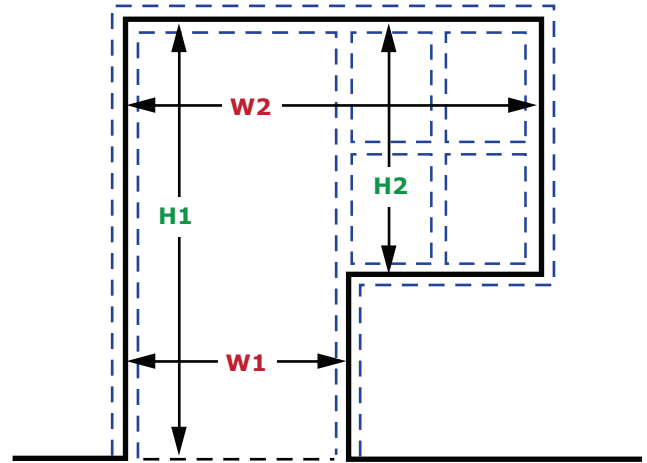
Rough opening width: Nominal door width + width of glass area(s) + 2" for each mullion + 1 1/4"

HEIGHT

Opening height equals the net door height. For frames with stepped or partial height sidelights, the light area height is calculated differently than the door area. Measurement is based on calculating the rough opening for the door area first, then measuring from the top down on the sidelight area.

Rough opening height: Door area: Net door height + net glass dimension(s) + 2" each mullion + 13/16"

Sidelight area: Net glass dimension(s) plus 2" for each mullion + 1 1/4"



W1 = Nominal Door Width + 1 1/4"

W2 = Nominal Door Width + Net Glass Width(s) + 2" for each Mullion + 1 1/4"

H1 = Net Door Opening + 13/16"

H2 = Net Glass Height(s) + 2" for each Mullion + 1 1/4"

DOOR FRAMES WITH TRANSOM(S) WITH OR WITHOUT SIDELIGHTS

WIDTH

For standard frame with transom and no sidelights, opening width is same as for a three sided frame. Opening width area will vary if using a partial height or stepped sidelight. The opening dimension is calculated separately for each "step" in the sidelight.

Rough opening: Standard frame: Net door width + 1 1/4"

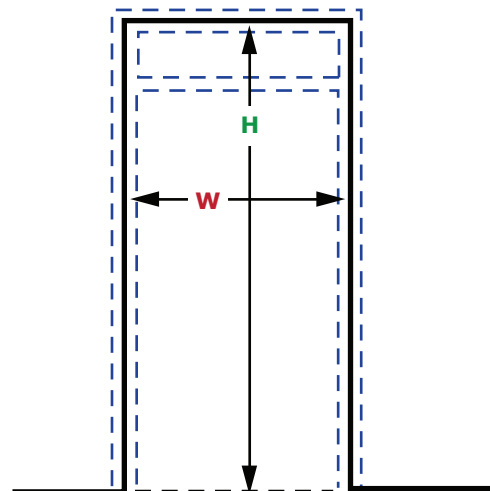
Rough opening: sidelight frame: Nominal door width + net width of each glass area + 2" for each mullion + 1 1/4"

HEIGHT

Opening height includes the net door height plus the transom mullion(s) and glass area(s). For frames with stepped or partial height sidelights, the light area height is calculated differently than the door area. Measurement is based on calculating the rough opening for the door area first, then measuring from the top down on the sidelight area

Rough opening: door area: Net door height + net glass dimension(s) + 2" for each mullion + 13/16"

Rough opening: sidelight area: Net glass dimension(s) plus 2" for each mullion + 1 1/4"



W = Nominal Width + 1 1/4"

H = Net Door Opening Height + Glass Height + 2" for each Mullion + 13/16"

ROUGH OPENING DIMENSIONS

BORROWED LIGHTS

WIDTH

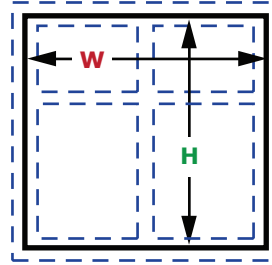
For Borrowed lights, the rough opening width is 1 1/4" larger than the inside glass area, including any mullions. For stepped borrowed lights, the dimension is calculated separately for each step width.

Rough opening: Glass width + 2" for each mullion + 1 1/4"

HEIGHT

For Borrowed lights, the rough opening height is 1 1/4" larger than the inside glass area, including any mullions. For stepped borrowed lights, the dimension is calculated separately for each step width.

Rough opening: Glass height + 2" for each mullion + 1 1/4"



W = Net Glass Width(s) + 2" for each Mullion + 1 1/4"

H = Net Glass Height(s) + 2" for each Mullion + 1 1/4"

FLOOR ANCHORED (FULL HEIGHT) SIDELIGHTS AND BORROWED LIGHTS

WIDTH

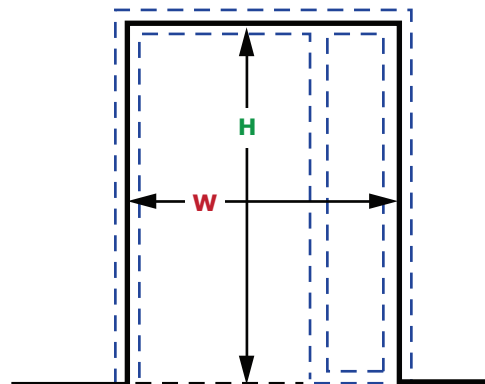
Width is calculated same as for other sidelight and borrowed light frames.

HEIGHT

Floor anchored sidelights and borrowed lights are shipped with a floor channel to facilitate proper anchorage of the sidelight sill. The rough opening height for the sidelite area is the same as the opening for the door area. When the floor channel is set in place, the rough opening created is 1 1/2" less than the rough opening for the door area. Since the sill overall height is 2", the newly created rough opening height for the sidelight area is 1 1/4" over the glass dimension. For full height borrowed lights aligned with an adjacent door frame, rough opening height is same as the door frame. All other frames use the following guidelines:

Rough opening; floor anchored sidelight: Net door height plus 13/16"

Rough opening; floor anchored borrowed light: Net glass dimension + 2" for each mullion plus 2 5/8"
 (2" sill plus 5/8" top clearance)



W = Nominal Door Width + Net Sidelight Width(s) + 2" for each Mullion + 1 1/4"

H = Nominal Height + 1" (Timely standard height)

H = Net Height + 13/16" (All other frame specs)

ROUGH OPENING DIMENSIONS

CEILING HEIGHT DOOR FRAMES

WIDTH

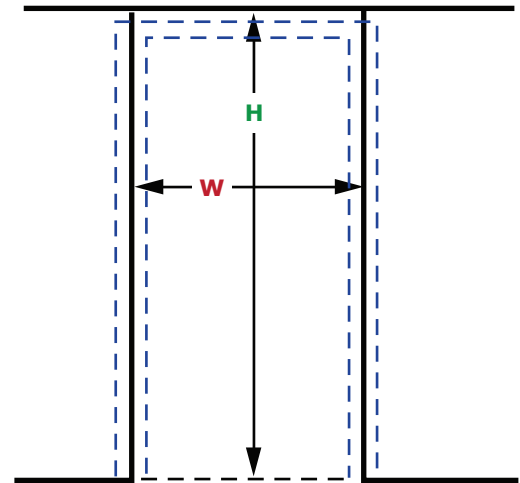
Width is calculated same as for other door frames.

Rough opening: Door width + 1 1/4"

HEIGHT

Ceiling height door frames use the full height of the opening (floor to ceiling) as the rough opening so there is no need to calculate the rough opening. On request, Timely supplies a ceiling channel eliminating the need to build a small wall section or devise some other method of anchoring the frame head. In this application, the rough opening determines the door height and is 2" less (net) than the ceiling height. Since this is normally a non standard height, Timely does not automatically add the 3/16" to the door height as on other openings. The frame is installed using the ceiling channel at the head creating a 2" overall face dimension.

Net Door Height: Ceiling height minus 2"



W = Nominal Door Width + 1 1/4"

H = Net Door Opening + 2"

Net Door Opening = Ceiling Height - 2"

CEILING HEIGHT, FLOOR ANCHORED SIDELIGHTS AND BORROWED LIGHTS

WIDTH

Width is calculated same as for other sidelight and borrowed light frames (Floor channel length is total glass width plus 2" for each mullion plus 2". Ceiling channel length is same as rough opening dimension)

HEIGHT

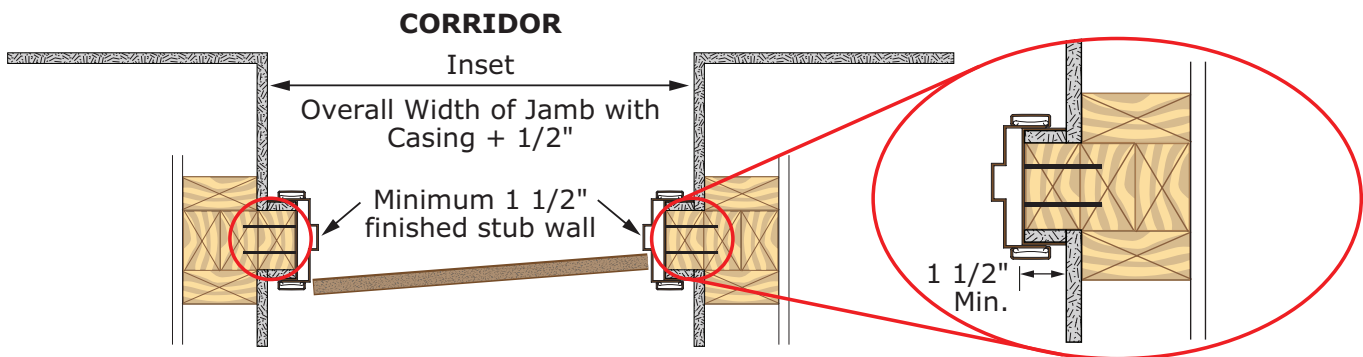
Ceiling height, floor anchored sidelights and borrowed lights use the same opening as door frames discussed above. On request, Timely supplies a ceiling channel eliminating the need to build a small wall section or devise some other method of anchoring the frame head. In this application, the rough opening determines the door height and is 2" less (net) than the ceiling height. Since this is normally a non standard height, Timely does not automatically add the 3/16" to the door height as on other openings. The frame is installed using the ceiling channel at the head creating a 2" overall face dimension. Units are also supplied with a floor channel to facilitate proper anchorage of the sidelight or borrowed light sill. When the floor channel and ceiling channel are set in place, the rough opening created is 3" less than the rough opening for the door area. The net inside height for the glass area and mullions would be the ceiling height less 4", since the top frame face is 2" and the sill face is 2".

Net Inside Sidelight height: Ceiling Height minus 4"

Net Inside Borrowed Light height: Ceiling Height minus 4"

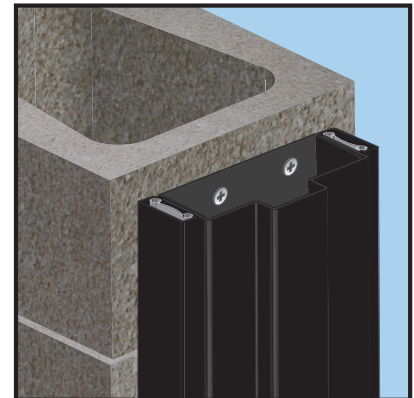
WALL TO WALL – STUB WALL INSTALLATION

Some projects require the entry door frame or closet door frame to be installed between two parallel walls. When this situation occurs, there are two factors to be considered. The first issue is having enough space to install the desired door width. This is important if the opening must comply with ADA requirements for adequate path of travel width. The finished wall to wall dimension must be at least 4" larger than the nominal door width if using TA-8, TA-23, TA-28 or TA-28M casing. If using TA-30 or TA-35 casing width is 4 1/2" wider. The second issue is adequate blocking for the framing material at the door location. The wall must have solid blocking to attach the stub wall prior to installing the frame. Whether using wood studs or steel studs, proper fasteners must be used to achieve adequate support for the door frame.



SUB-FRAME APPLICATION – TIMELY STEEL SUB FRAME

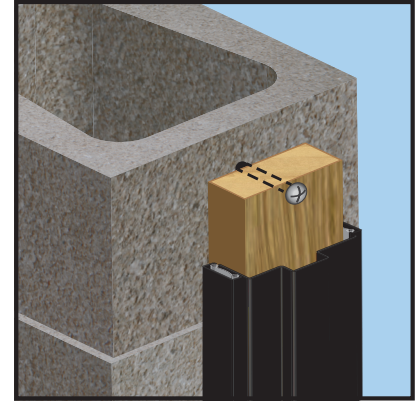
To install a Timely door frame, sidelight frame or borrowed light frame inside an existing opening instead of installing the frame over the outside of the wall surface, a prefinished steel sub frame is recommended. A sub frame provides a solid substrate to anchor the frame, requires no special fasteners and matches the color of the finished frame. When anchoring the frame to any wall type other than steel or wood studs, this method of application is much easier to install. In addition, the frame can maintain a fire rating provided the wall construction is fire rated and the other opening components are fire rated. The sub frame is anchored to the existing structure and the finished frame is installed over the flange of the sub frame similar to a sill channel or ceiling channel installation. Opening dimensions and corresponding frame dimensions are:



- Vertical Sub Frame (Cased opening no stop) *Existing Opening Height minus 1/16"*
- Horizontal Sub Frame (Cased opening no stop) *Existing Opening Width minus 3 3/16"*
- Vertical Finished frame dimension *Existing Opening Height minus 2"*
- Horizontal Finished frame (header) *Existing Opening Width minus 4"*

SUB-FRAME APPLICATION – WOOD STUD

To install a Timely door frame, sidelight frame or borrowed light frame inside an existing opening instead of installing the frame over the outside of the wall surface, a wood sub frame is recommended. A sub frame provides a solid substrate to anchor the frame, and requires no special fasteners for the frame. The wood sub frame must be adequately anchored to the existing opening material using lag bolts. If the existing material is masonry, lead shields are used with lag bolts. This application leaves a visible line around the opening exposing the sub frame material so it is recommended that the sub frame material be treated and caulked, especially for exterior applications. Be aware that the opening can only be fire rated if the wood sub frame has fire rated drywall on both sides to separate the door frame from the sub frame. Opening dimensions and corresponding frame dimensions are:



- Vertical Sub Frame – wood, ripped to standard frame width *Existing Opening Height minus 1/16"*
- Horizontal Sub Frame - wood, ripped to standard frame width *Existing Opening Width minus 3 1/16"*
- Vertical Finished frame dimension *Existing Opening Height minus 2"*
- Horizontal Finished frame (header) *Existing Opening Width minus 4"*