

SINGLE FAMILY

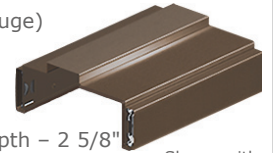


- Increased home security
- 90 min Fire Rating (meets code in every jurisdiction for house to garage)
- Built in weatherstripping

CLASSIC FRAME **S** **C**

S-Series (20 gauge)

General use for all interior openings.



Minimum Jamb Depth – 2 5/8"

Maximum Jamb Depth – 5 3/8"

Fire Rating – 90 Minutes
 (Minimum Jamb Depth 3 3/8" for rating)

Maximum Door Weight – 500 lbs.

Shown with TA-8 Steel Casing as example.

C-Series (18 gauge)

General use for all interior openings requiring additional strength and impact resistance of 18 gauge steel.

Minimum Jamb Depth – 2 5/8"

Maximum Jamb Depth – 13"

Fire Rating – 90 Minutes (Minimum Jamb Depth 3 3/8" for rating)

Maximum Door Weight – 500 lbs.

FRAME SELECTION RECOMMENDATIONS

Classic Classic Adjustable Kerfed Adjustable Kerfed Double Egress Pocket Trim

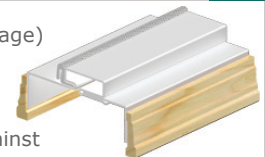
		Frequency	S	C	A	CK	AK	DE	P
Common Areas	Main Entrance	M	•	•	•	•	P	•	•
	Secondary Entrance	L	•	•	•	•	P	•	•
	House to Garage (Fire Door)	L	•	•	•	•	P	•	•
	Exterior from Garage	L	•	•	•	•	P	•	•
	Safe Room	L	•	P	O	•	•	•	•

FREQUENCY H = High M = Medium L = Low
 USE OF FRAME P = Preferred O = Optional • = not recommended

ADJUSTABLE KERFED FRAME **AK**

AK-Series (20 gage)

Use for interior and exterior openings requiring a seal against smoke, sound, weather, and light. Adjustable Frame has a common door section and (6 sizes of outer sections, each with 1" of adjustability.) Can be pre-hung and is designed for wood casing application. Not available as a prefinished frame or with heat treated casing attachment clips.



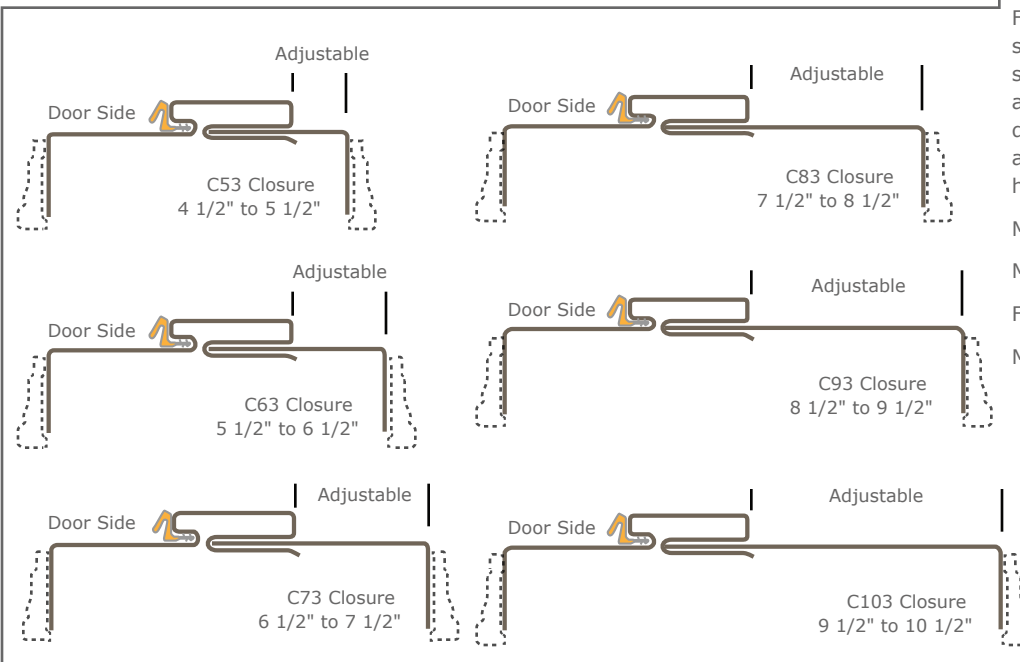
Shown with Wood Casing Supplied by Others.

Minimum Jamb Depth – 4 1/2"

Maximum Jamb Depth – 10 1/2"

Fire Rating – 90 Minutes

Maximum Door Weight – 250 lbs.



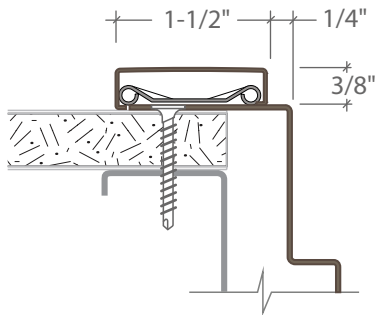
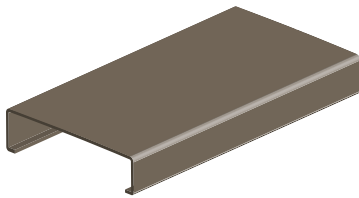
SINGLE FAMILY

ACCESSORY HARDWARE

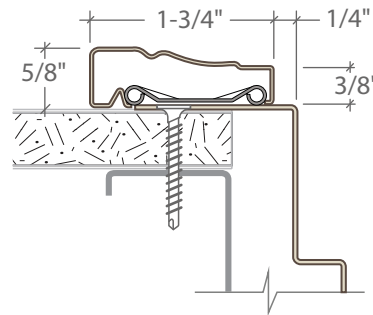
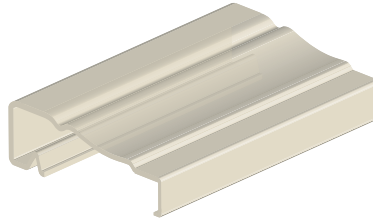
TA-46 Kerf Smoke Gasket/Weatherstrip

CASING RECOMMENDATIONS

TA-8 Standard Steel



TA-30 Colonial Steel



Wood Casing



For installation information see:

[Home > Products > Casing > Wood](#)

