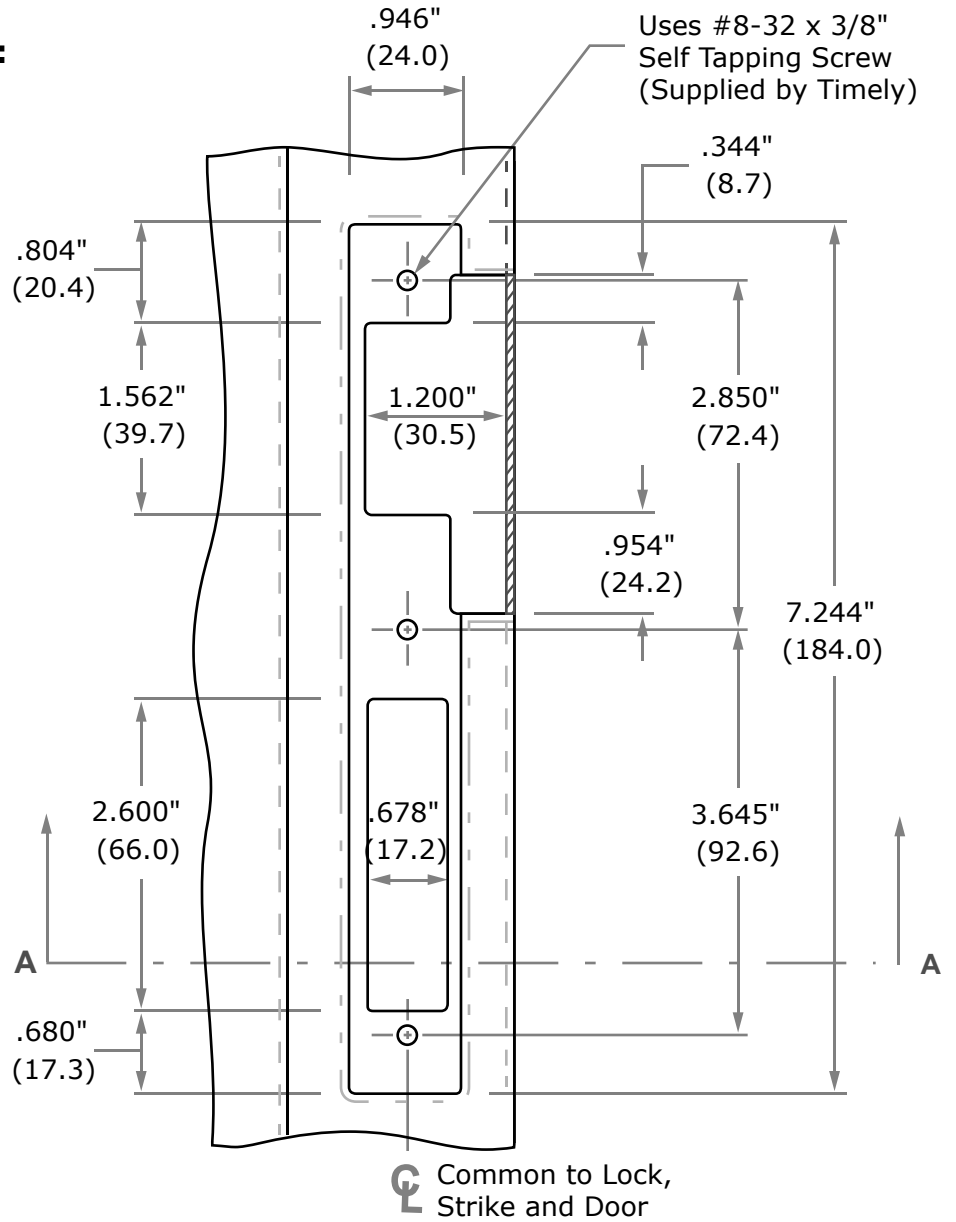
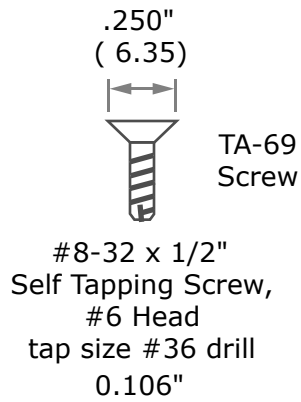


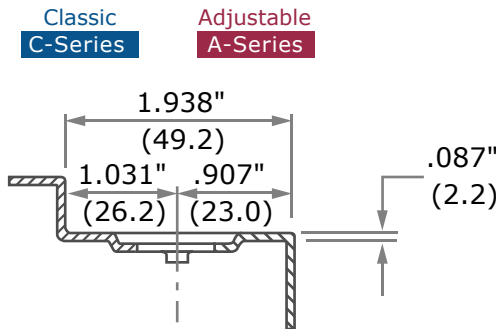
Compatible Strike Plates:

- Onity (supplied w/lockset)

NOT TO SCALE



Section A-A



Euro B - Onity, #8 screws

Template
S-87