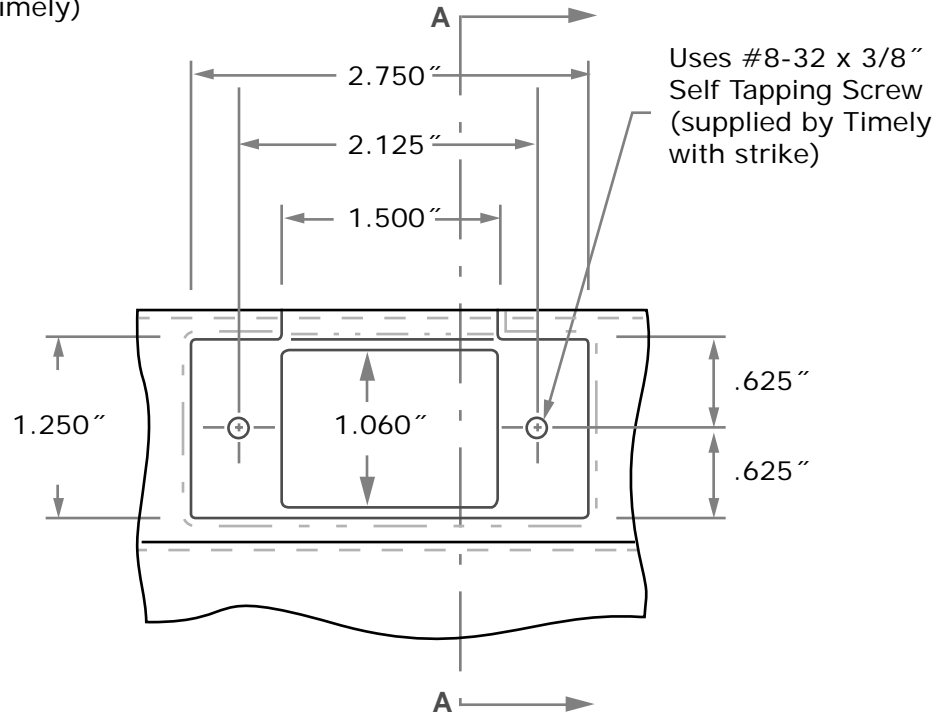


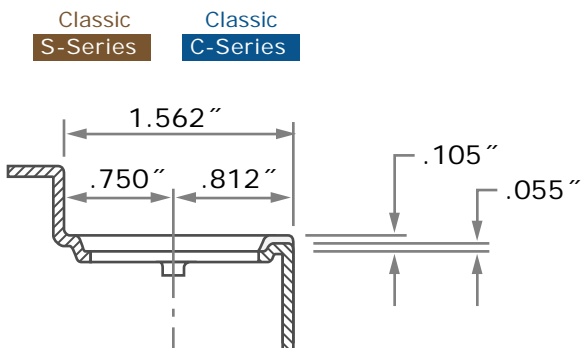
Compatible Strike Plates:

- T-1 Adjustable T-Strike (Timely)
- TA-70 Roller Latch (Timely)



NOT TO SCALE

Section A-A



• Flush Bolt (Self Latching)

• Roller Latch

Template
S-71