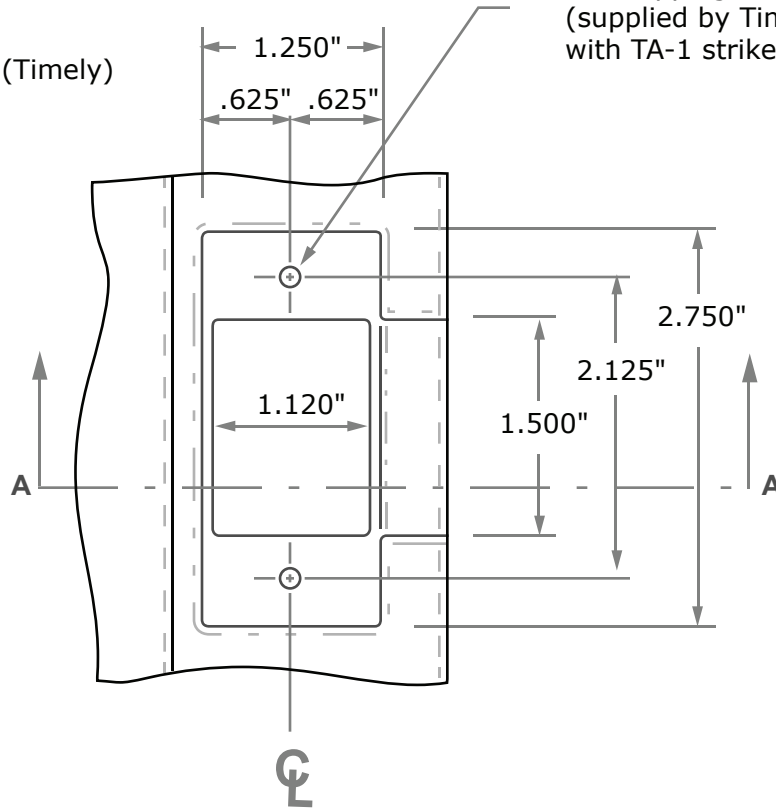


### Compatible Strike Plates:

- TA-1 Adjustable T-Strike (Timely)
- TA-2 Filler Plate (Timely)
- TA-4 & TA-4EX Storage Hasp (Timely)
- TA-71 Roller Latch (Timely)

Uses #8-32 x 3/8" Self Tapping Screw (supplied by Timely with TA-1 strike)



NOT TO SCALE

### Section A-A

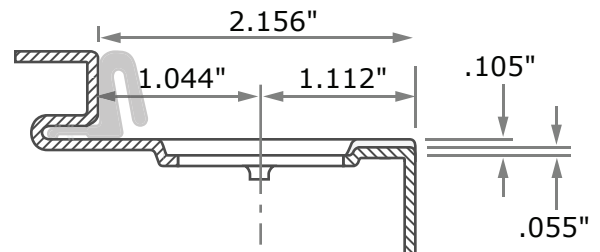
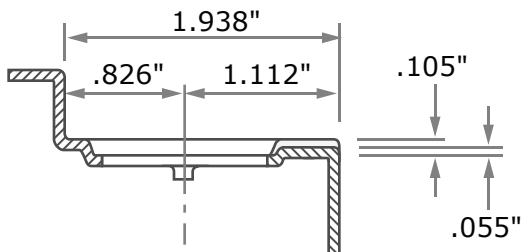
Classic  
S-Series

Classic  
C-Series

Adjustable  
A-Series

Kerfed  
CK-Series

Adjustable Kerfed  
AK-Series



• **Adjustable T-Strike**

• **Storage Hasp**

• **Roller Latch**

Template  
**S-51**