

MULTI-FAMILY



- Uniformity of all interior doors and frames – including stairwells and double egress frames
- Economical solution without sacrificing performance or quality
- Ideal for steel stud framing – eliminates wood blocking required when using pre-hung frames
- More durable than traditional wood frames without adding considerable cost
- Increased living space security vs wood frames
- AK frame for unit entries when using wood interior frames provides superior strength, security and fire protection when compared with wood frames

FRAME SELECTION RECOMMENDATIONS

Classic  
 Classic  
 Adjustable  
 Kerfed  
 Adjustable Kerfed  
 Double Egress  
 Pocket Trim

	Frequency	S	C	A	CK	AK	DE	P
Common Areas	Main Entrance	H	•	•	•	•	•	•
	Secondary Entrance	M	•	•	•	•	•	•
	Corridor Offices	M	○	○	○	P	•	•
	Restrooms	M	○	○	○	P	•	•
	Laundry	M	○	○	○	P	•	•
	Pool	M	○	○	○	P	•	•
	Exercise	M	○	○	○	P	•	•
	Maintenance	L	○	○	○	P	•	•
	Meeting Rooms	L	○	○	○	P	•	•
	Interior Offices	L	P	○	○	○	•	•
	Secure Storage	L	•	P	○	•	•	•
	Mech./Elect	L	•	○	○	P	•	•
	Stairwell	L	•	○	○	P	•	•
Corridors – Dbl. Egress	L	•	•	•	•	•	P	
Rooms	Entry	M	○	○	•	P	•	•
	Bath	L	P	○	○	•	•	•
	Furnace	L	P	○	•	•	•	•
	Bedroom	L	P	○	○	•	•	•
	Closet SS/PR	L	P	○	○	•	•	•
	Closet Bi-pass	L	•	P	•	•	•	•
	Closet Bi-fold	L	P	○	•	•	•	•
Pocket	L	•	•	•	•	•	P	

FREQUENCY H = High M = Medium L = Low  
 USE OF FRAME P = Preferred ○ = Optional • = not recommended

CLASSIC FRAME **S C**

**S-Series** (20 gauge)  
 General use for all interior openings.  
 Minimum Jamb Depth – 2 5/8"  
 Maximum Jamb Depth – 5 3/8"  
 Fire Rating – 90 Minutes  
 (Minimum Jamb Depth 3 3/8" for rating)  
 Maximum Door Weight – 500 lbs.



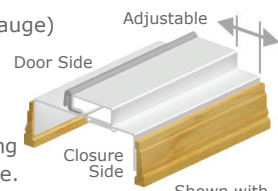
Shown with TA-8 Steel Casing as example.

**C-Series** (18 gauge)

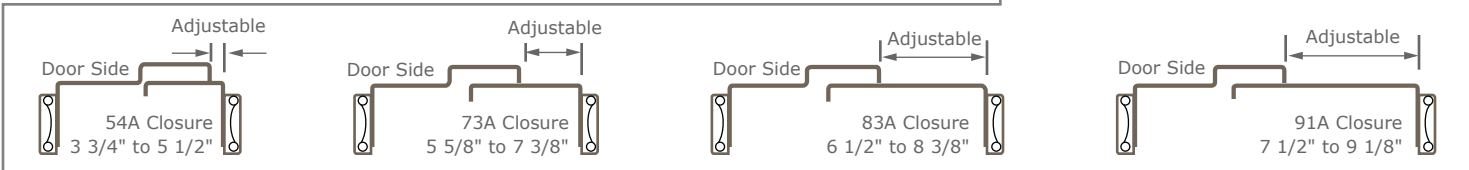
General use for all interior openings requiring additional strength and impact resistance of 18 gauge steel.  
 Minimum Jamb Depth – 2 5/8"  
 Maximum Jamb Depth – 13"  
 Fire Rating – 90 Minutes (Minimum Jamb Depth 3 3/8" for rating)  
 Maximum Door Weight – 500 lbs.

ADJUSTABLE FRAME **A**

**A-Series** (18 gauge)  
 Use for interior openings with uneven or odd sized walls requiring non-stock wall size.  
 Adjustable jamb thickness makes this frame ideal for remodel projects.  
 Minimum Jamb Depth – 3 3/4"  
 Maximum Jamb Depth – 12"  
 Fire Rating – 90 Minutes  
 Maximum Door Weight – 500 lbs.



Shown with Wood Casing supplied by others as example.



MULTI-FAMILY

KERFED

CK

**CK-Series** (18 gauge)

Use for interior and exterior openings requiring a seal against smoke, sound, weather, and light. Kerfed stop with factory installed seal.



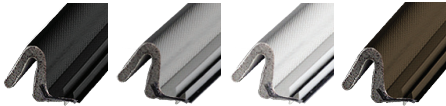
Shown with TA-8 Steel Casing as example.

Minimum Jamb Depth – 4"

Maximum Jamb Depth – 8"

Fire Rating – 90 Minutes

Maximum Door Weight – 500 lbs.



**TA-46** Gasket: Weather Strip/Smoke Seal. Available in Black, Grey, White and Browntone.



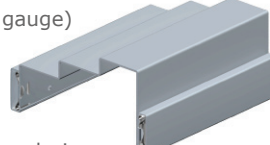
**TA-55** Intumescent Seal: Weather Strip/Smoke Seal and Intumescent Seal. Allows for use of Category B Fire Door. Available in Black and Browntone.

DOUBLE EGRESS FRAME

DE

**DE-Series** (18 gauge)

Use for cross corridor fire separation where doors are held open during normal use.



Shown with TA-8 Steel Casing as example.

Minimum Jamb Depth – 4 3/4"

Maximum Jamb Depth – 13"

Fire Rating – 90 Minutes

Maximum Door Weight – 250 lbs.



POCKET DOOR TRIM KIT

P

**P-Series** (18 gauge)

Use to trim out pocket doors so they have the same appearance as other frames for the project.



Shown with TA-8 Steel Casing as example.

Minimum Jamb Depth – 4"

Maximum Jamb Depth – 13"

Fire Rating – none

Maximum Door Weight – N/A

ACCESSORY HARDWARE

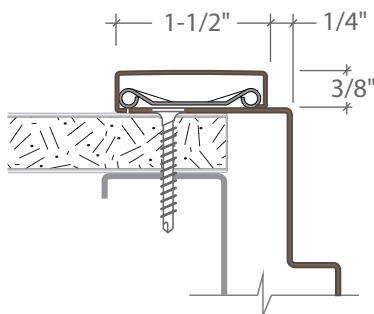
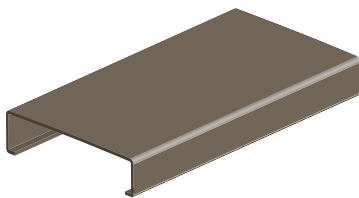
**TA-10** Regular Arm Closer Reinforcement – Can be used for All Frames

**TA-12** Parallel Arm Closer Reinforcement – Classic Frames only

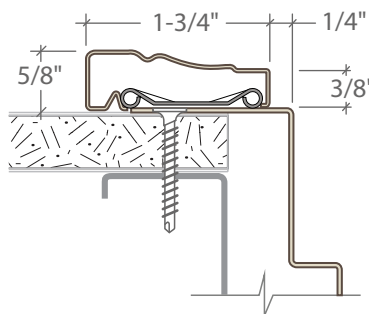
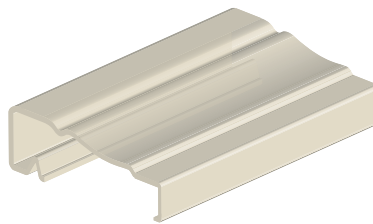
**TA-47** Parallel Arm Closer Reinforcement – Kerf Frames only

CASING RECOMMENDATIONS

**TA-8 Standard Steel**



**TA-30 Colonial Steel**



**Wood Casing**



For installation information see:

Home > Products > Casing > Wood