

MEDICAL OFFICE



- Uniformity of all interior doors and frames – including stairwells and double egress frames
- Economical solution without sacrificing performance or quality
- Fire rated sidelights and borrowed lights available
- Ideal for either wood stud or steel stud framing
- Rescue hardware frames available for patient bathrooms
- Adaptable to specialized hardware requirements and lead lining

FRAME SELECTION RECOMMENDATIONS

Classic
 Classic
 Adjustable
 Kerfed
 Adjustable Kerfed
 Double Egress
 Pocket Trim

	Frequency	S	C	A	CK	AK	DE	P
Common Areas	Main Entrance	H	•	•	•	•	•	•
	Secondary Entrance	M	•	•	•	•	•	•
	Corridor Offices	M	O	O	O	P	•	•
	Interior Offices	L	P	O	O	O	•	•
	Restrooms	M	P	O	O	O	•	•
	Meeting Rooms	I	O	O	O	P	•	•
	Exam	M	P	O	O	O	•	•
	X Ray – Lead Lined	L	•	P	•	•	•	•
	Mechanical/Electric	L	•	O	O	P	•	•
	Secure Storage	L	•	P	O	•	•	•
	Closet SS/PR	L	P	O	O	•	•	•
	Closet Bi-pass	L	•	P	O	•	•	•
	Closet Bi-fold	L	P	O	O	•	•	•
	Pocket		•	•	•	•	•	P
	Stairwell		•	O	•	•	•	•
	Sidelight		•	P	•	•	•	•
	Borrowed Light	L	O	P	O	•	•	•
	Corridors – Dbl Egress	L	•	•	•	•	•	P

FREQUENCY H = High M = Medium L = Low
 USE OF FRAME P = Preferred O = Optional • = not recommended

CLASSIC FRAME S C

S-Series (20 gauge)

General use for all interior openings.



Minimum Jamb Depth – 2 5/8"

Maximum Jamb Depth – 5 3/8"

Fire Rating – 90 Minutes
 (Minimum Jamb Depth 3 3/8" for rating)

Maximum Door Weight – 500 lbs.

Shown with TA-8 Steel Casing as example.

C-Series (18 gauge)

General use for all interior openings requiring additional strength and impact resistance of 18 gauge steel.

Minimum Jamb Depth – 2 5/8"

Maximum Jamb Depth – 13"

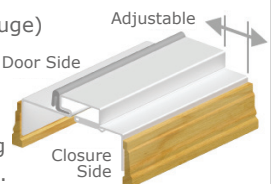
Fire Rating – 90 Minutes (Minimum Jamb Depth 3 3/8" for rating)

Maximum Door Weight – 500 lbs.

ADJUSTABLE FRAME A

A-Series (18 gauge)

Use for interior openings with uneven or odd sized walls requiring non-stock wall size.



Adjustable jamb thickness makes this frame Ideal for remodel projects.

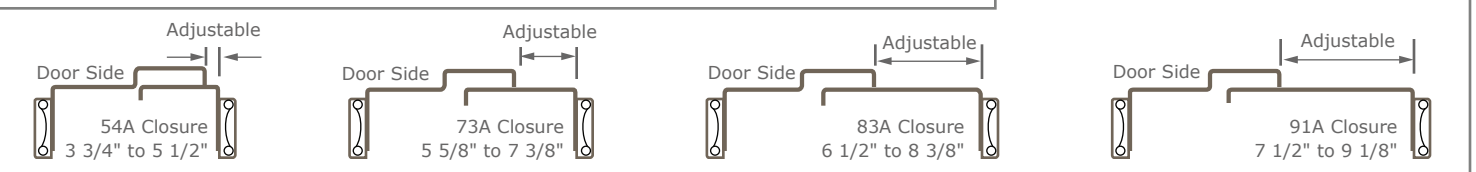
Minimum Jamb Depth – 3 3/4"

Maximum Jamb Depth – 12"

Fire Rating – 90 Minutes

Maximum Door Weight – 500 lbs.

Shown with Wood Casing **supplied by others** as example.



MEDICAL OFFICE

KERFED

CK

CK-Series (18 gauge)

Use for interior and exterior openings requiring a seal against smoke, sound, weather, and light. Kerfed stop with factory installed seal.



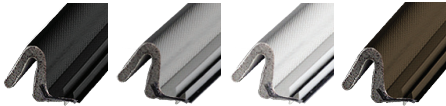
Shown with TA-8 Steel Casing as example.

Minimum Jamb Depth – 4"

Maximum Jamb Depth – 8"

Fire Rating – 90 Minutes

Maximum Door Weight – 500 lbs.



TA-46 Gasket: Weather Strip/Smoke Seal.
 Available in Black, Grey, White and Browntone.



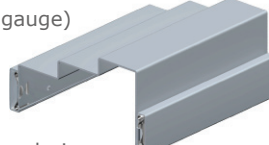
TA-55 Intumescent Seal: Weather Strip/Smoke Seal and Intumescent Seal. Allows for use of Category B Fire Door.
 Available in Black and Browntone.

DOUBLE EGRESS FRAME

DE

DE-Series (18 gauge)

Use for cross corridor fire separation where doors are held open during normal use.



Shown with TA-8 Steel Casing as example.

Minimum Jamb Depth – 4 3/4"

Maximum Jamb Depth – 13"

Fire Rating – 90 Minutes

Maximum Door Weight – 250 lbs.

POCKET DOOR TRIM KIT

P

P-Series (18 gauge)

Use to trim out pocket doors so they have the same appearance as other frames for the project.



Shown with TA-8 Steel Casing as example.

Minimum Jamb Depth – 4"

Maximum Jamb Depth – 13"

Fire Rating – none

Maximum Door Weight – N/A

ACCESSORY HARDWARE

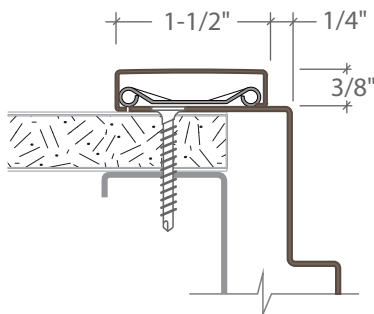
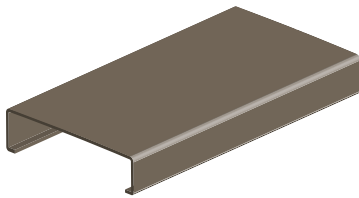
TA-10 Regular Arm Closer Reinforcement – Can be used for All Frames

TA-12 Parallel Arm Closer Reinforcement – Classic Frames only

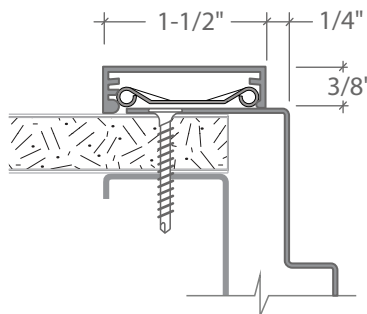
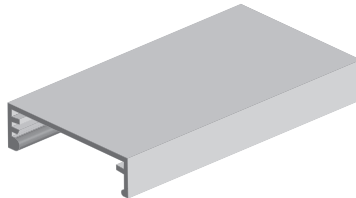
TA-47 Parallel Arm Closer Reinforcement – Kerf Frames only

CASING RECOMMENDATIONS

TA-8 Standard Steel



TA-23 Aluminum



TA-28 Aluminum

