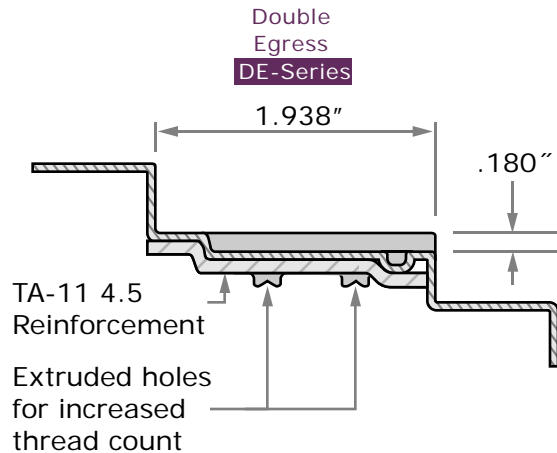
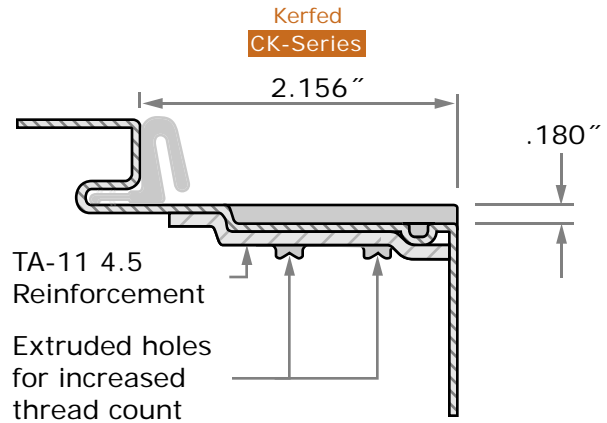
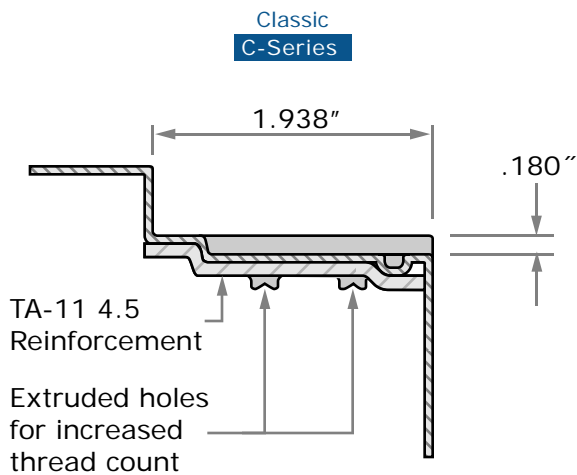


Section A-A



### 4 1/2" Hinge Preparation - (Template) Screw Pattern

Template  
**H-16**