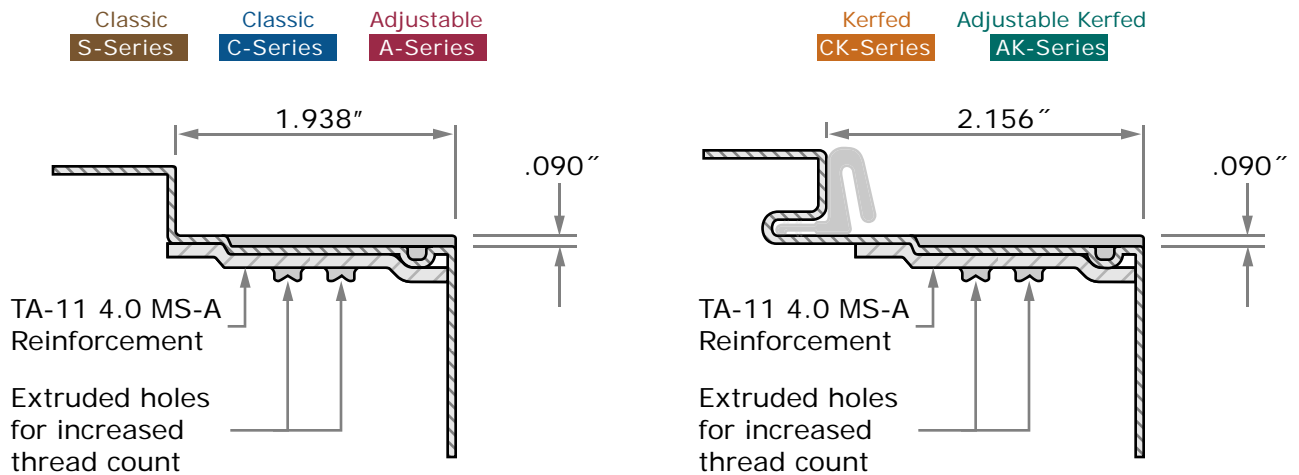


Section A-A



4" Hinge Preparation - (Masonite) Screw Pattern

Template
H-09