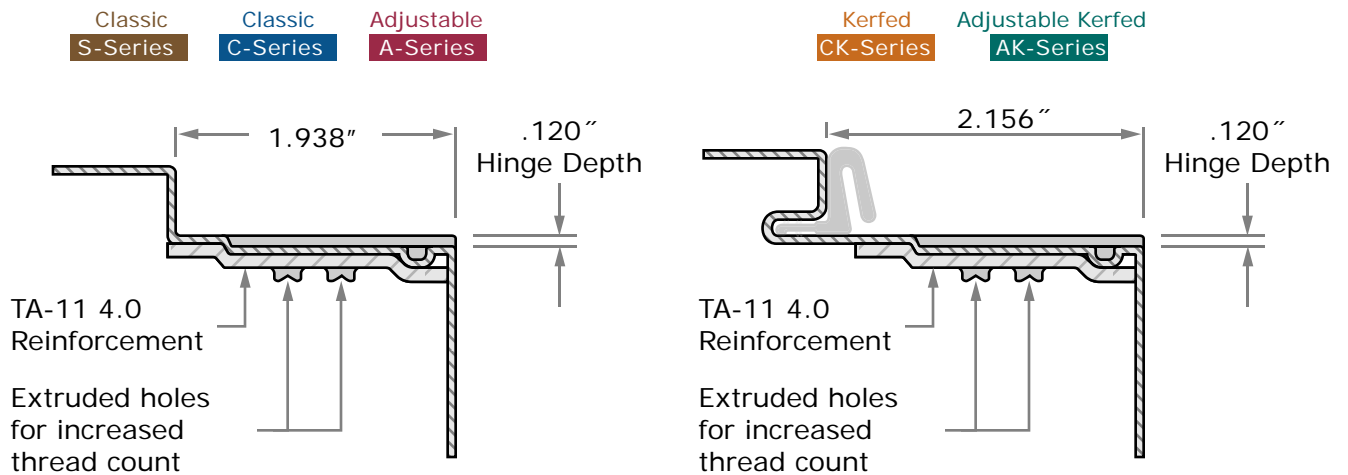


Section A-A



4" Hinge Preparation - (Template) Screw Pattern

Template
H-05