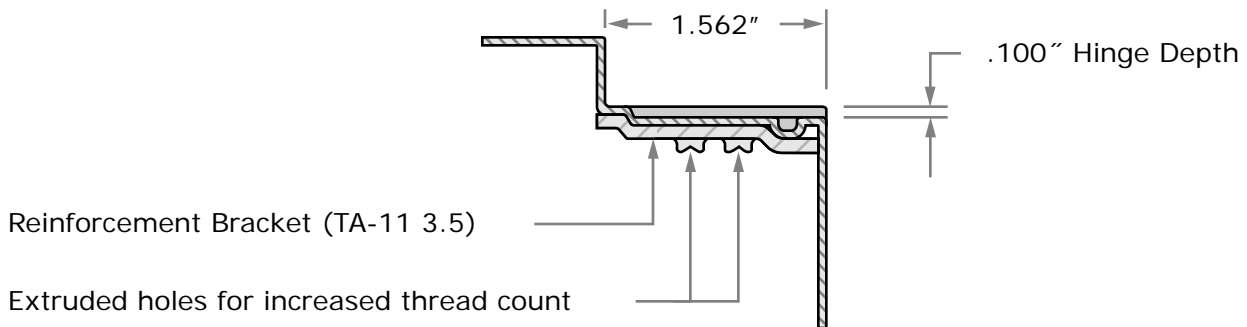


NOT TO SCALE

### Section A-A

Classic S-Series Classic C-Series



## 3 1/2" Hinge Preparation - (Template) Screw Pattern

Template  
**H-01**

Standard Weight - 1/4" radius

Rev.No. 2/12