

DOUBLE EGRESS (DE-Series)



LODGING



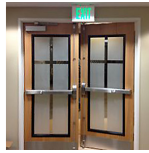
OFFICE



MEDICAL OFFICE



DORMITORIES



BUILDINGS OF WORSHIP



ASSISTED LIVING



MULTI-FAMILY



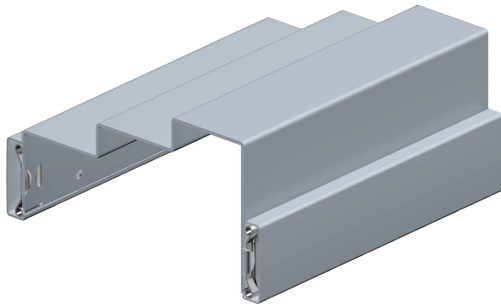
SCHOOLS



HOSPITAL NON SURGICAL



SINGLE FAMILY



Shown with TA-8 Steel Casing as example.

Our new **GalXC™** material is now standard for all Timely door frames raising the quality and performance properties to the highest level at an exceptional value. **GalXC** is a Hot Dipped Galvanized product that provides superior corrosion resistance in the harshest environments while balancing outstanding surface, gauge, and shape quality.

The prefinished steel **DE-Series** Double Egress Frame is commonly used for openings requiring Doors swinging in opposite directions.

Our **DE-Series** Double Egress Frames are made using 18 gauge prefinished steel.

Finishing options include 7 standard colors, 30 pre-matched custom colors, project matched custom colors or primed for field painting.

GalXC is easier to specify, ALL Timely frames are now made of **GalXC**, so they can be installed in any environment.

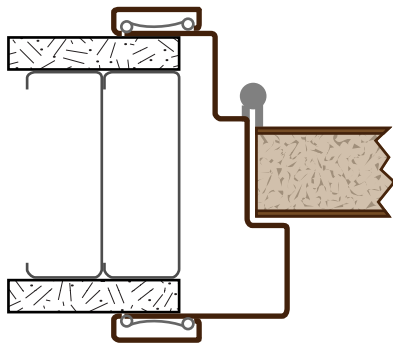
Fire ratings up to 90 minutes are available.

Mullions are not available for **DE-Series** Double Egress Frames.

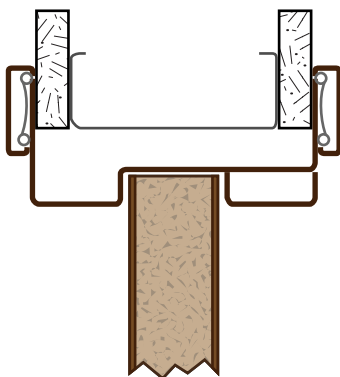
Our **DE-Series** Double Egress Frames will accommodate 1 3/4" doors weighing up to 250 lbs each.

AVAILABLE IN JAMB DEPTHS

4 7/8" to 12 3/4" in 1/8" increments.



5A Jamb Hinge Side - Double Egress



5D Header - Double Egress