

**DORMITORIES**



- Uniformity of all interior doors and frames – including stairwells and double egress frames
- Economical solution without sacrificing performance or quality
- Ideal for steel stud framing – eliminates wood blocking required when using pre-hung frames
- More durable than traditional wood frames without adding considerable cost
- Increased security vs wood frames



**FRAME SELECTION RECOMMENDATIONS**

Classic  
 Classic  
 Adjustable  
 Kerfed  
 Adjustable Kerfed  
 Double Egress  
 Pocket Trim

	Frequency	S	C	A	CK	AK	DE	P
Common Areas	Main Entrance	H	•	•	•	•	•	•
	Secondary Entrance	M	•	•	•	•	•	•
	Corridor Offices	M	○	○	○	P	•	•
	Restrooms	M	○	○	○	P	•	•
	Laundry	M	○	○	○	P	•	•
	Pool	M	○	○	○	P	•	•
	Exercise	M	○	○	○	P	•	•
	Maintenance	L	○	○	○	P	•	•
	Meeting Rooms	L	○	○	○	P	•	•
	Interior Offices	L	P	○	○	○	•	•
	Secure Storage	L	•	P	○	•	•	•
	Mech./Elect	L	•	○	○	P	•	•
	Stairwell	L	•	○	•	P	•	•
Corridors – Dbl. Egress	L	•	•	•	•	•	P	
Rooms	Entry	M	○	○	•	P	•	•
	Bath	L	P	○	○	•	•	•
	Furnace	L	P	○	•	•	•	•
	Bedroom	L	P	○	○	•	•	•
	Closet SS/PR	L	P	○	○	•	•	•
	Closet Bi-pass	L	•	P	•	•	•	•
	Closet Bi-fold	L	P	○	•	•	•	•
Pocket	L	•	•	•	•	•	P	

FREQUENCY H = High M = Medium L = Low  
 USE OF FRAME P = Preferred ○ = Optional • = not recommended

**CLASSIC FRAME** **S C**

**S-Series** (20 gauge)

General use for all interior openings.



Minimum Jamb Depth – 2 5/8"

Maximum Jamb Depth – 5 3/8"

Fire Rating – 90 Minutes

(Minimum Jamb Depth 3 3/8" for rating)

Maximum Door Weight – 500 lbs.

Shown with TA-8 Steel Casing as example.

**C-Series** (18 gauge)

General use for all interior openings requiring additional strength and impact resistance of 18 gauge steel.

Minimum Jamb Depth – 2 5/8"

Maximum Jamb Depth – 13"

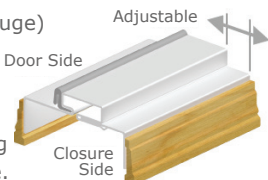
Fire Rating – 90 Minutes (Minimum Jamb Depth 3 3/8" for rating)

Maximum Door Weight – 500 lbs.

**ADJUSTABLE FRAME** **A**

**A-Series** (18 gauge)

Use for interior openings with uneven or odd sized walls requiring non-stock wall size.



Adjustable jamb thickness makes this frame Ideal for remodel projects.

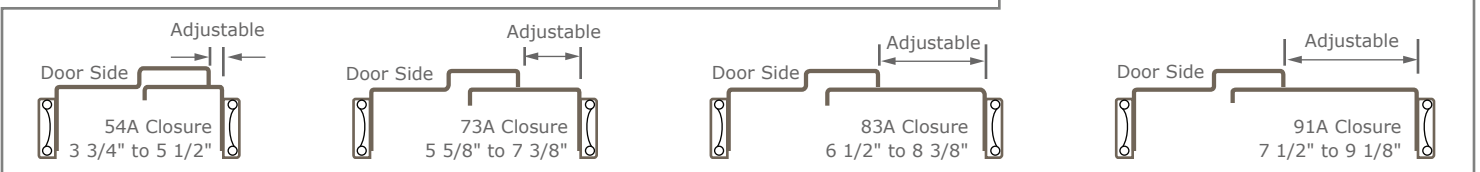
Shown with Wood Casing **supplied by others** as example.

Minimum Jamb Depth – 3 3/4"

Maximum Jamb Depth – 12"

Fire Rating – 90 Minutes

Maximum Door Weight – 500 lbs.



**DORMITORIES**

**KERFED**

**CK**

**CK-Series** (18 gauge)

Use for interior and exterior openings requiring a seal against smoke, sound, weather, and light. Kerfed stop with factory installed seal.



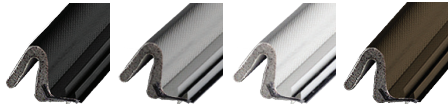
Shown with TA-8 Steel Casing as example.

Minimum Jamb Depth – 4"

Maximum Jamb Depth – 8"

Fire Rating – 90 Minutes

Maximum Door Weight – 500 lbs.



**TA-46** Gasket: Weather Strip/Smoke Seal. Available in Black, Grey, White and Browntone.



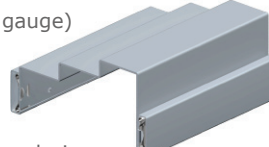
**TA-55** Intumescent Seal: Weather Strip/Smoke Seal and Intumescent Seal. Allows for use of Category B Fire Door. Available in Black and Browntone.

**DOUBLE EGRESS FRAME**

**DE**

**DE-Series** (18 gauge)

Use for cross corridor fire separation where doors are held open during normal use.



Shown with TA-8 Steel Casing as example.

Minimum Jamb Depth – 4 3/4"

Maximum Jamb Depth – 13"

Fire Rating – 90 Minutes

Maximum Door Weight – 250 lbs.

**POCKET DOOR TRIM KIT**

**P**

**P-Series** (18 gauge)

Use to trim out pocket doors so they have the same appearance as other frames for the project.



Shown with TA-8 Steel Casing as example.

Minimum Jamb Depth – 4"

Maximum Jamb Depth – 13"

Fire Rating – none

Maximum Door Weight – N/A



**ACCESSORY HARDWARE**

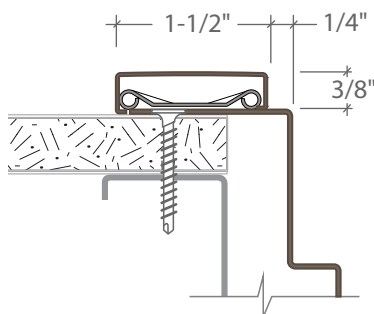
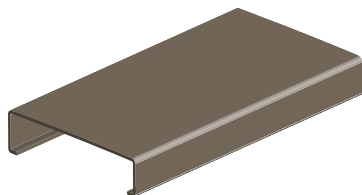
**TA-10** Regular Arm Closer Reinforcement – Can be used for All Frames

**TA-12** Parallel Arm Closer Reinforcement – Classic Frames only

**TA-47** Parallel Arm Closer Reinforcement – Kerf Frames only

**CASING RECOMMENDATIONS**

**TA-8 Standard Steel**



**TA-30 Colonial Steel**

