



Timely is pleased to provide the following information, and wishes to thank you for your interest in our Timely line of products

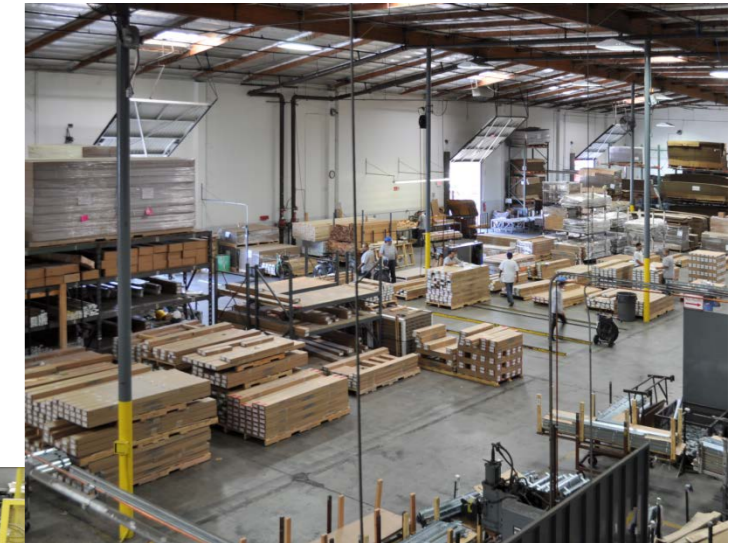
WHO IS TIMELY?

- Production begins in 1971
- Family owned
- Frame and all components made in the USA
- Financial Stability



TIMELY INTRODUCTION

- 85,000 square foot modern manufacturing facility
- Automated Production Lines designed and built in house
- Manufacturing capacity of more than 5,000 frames per day



TIMELY INTRODUCTION

- 192 employees
- Average length of employment is 20 years
- Some employees with over 36 years of service



WHAT IS A TIMELY FRAME?

- Knock Down Door Frame
- Made of steel
- Prefinished
- Over 1,000 different types of varieties, colors, sizes



TIMELY'S BASE MATERIAL

- GalXC is manufactured by USS Posco in Pittsburg California and where we purchase 100% of our steel
- GalXC is Hot Dipped Galvanized equivalent to a G30
- GalXC is 1.5 times the corrosion resistance of ASTM A653



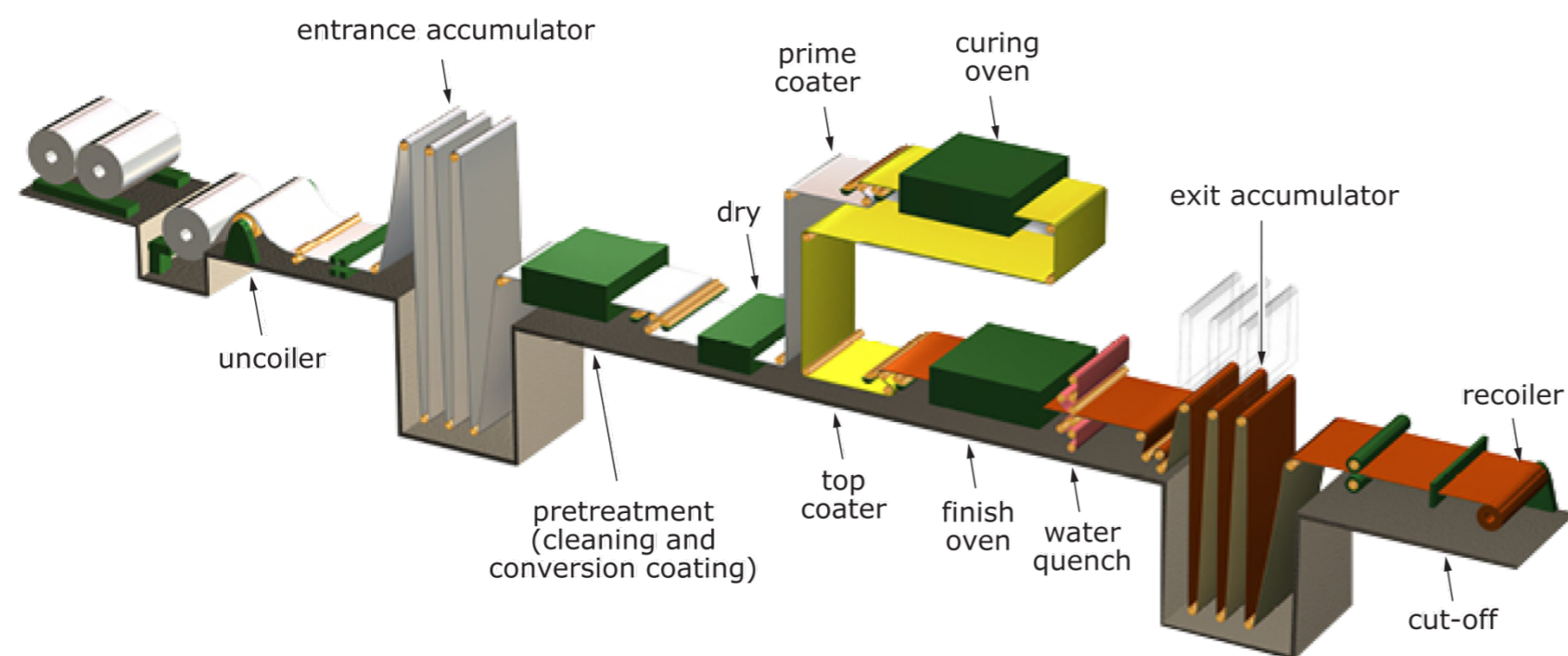
UPI.GALXC HOT DIPPED GALVANIZED

- Easier to specify, Timely frames can be installed in virtually any environment
- The GalXC zinc coating protects the steel by acting as a sacrificial anode; any exposed parts of the steel, such as exposed edges on the strike emboss or at the end of each frame, are also protected by the thicker zinc coating



TIMELY'S FINISH COAT

- Metal Coaters continuous coil coating process cleans, pretreats and roll applies corrosion resistant Polyurethane Primers and Color Coatings to our GalXC steel



THE MOST ECO-FRIENDLY WAY TO APPLY COATINGS

Precision Roll Coating Methodology: Controlled and uniform coverage's are impossible to achieve with post painted steel (painted after fabrication).

Transfer Efficiency: 100%, no overspray, no waste.

VOC Capture: The Coil Coating process captures and destructs a minimum of 98% of the coating's VOC's, eliminating pollutants that would otherwise be released into the air.

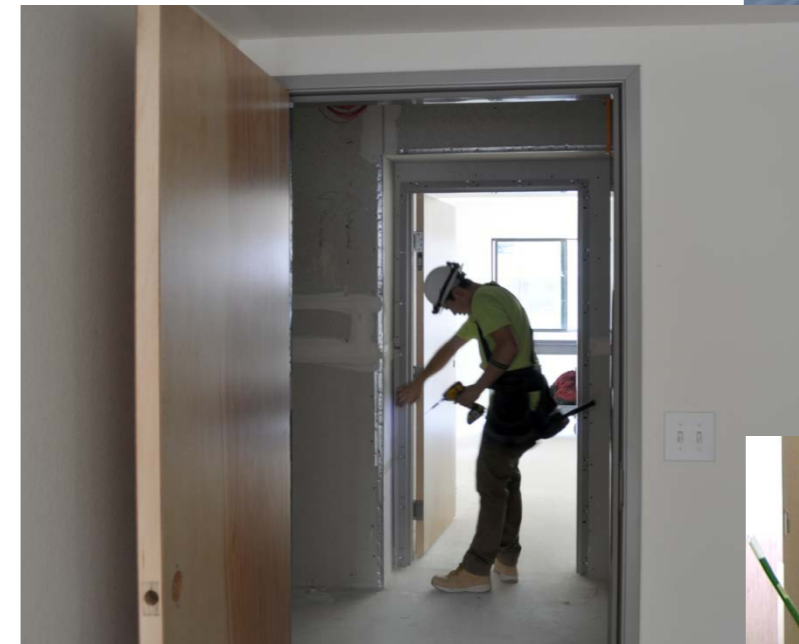
Benefits of Coil Coating: Substantial energy savings vs. post painting processes, trouble-free environmental compliance and minimized waste and emissions.

Recyclable & Recycled: 70% of all steel is recycled. Pre-painted Steel and Prefinished Door Frames are completely recyclable.



BECKER SPECIALTY CORPORATION

- Beckry Pur is a high performance polyurethane coating used on all of our finishes
- Excellent film hardness
- Abrasion resistant
- Withstands impact
- U.V. Resistant
- Chemical resistant



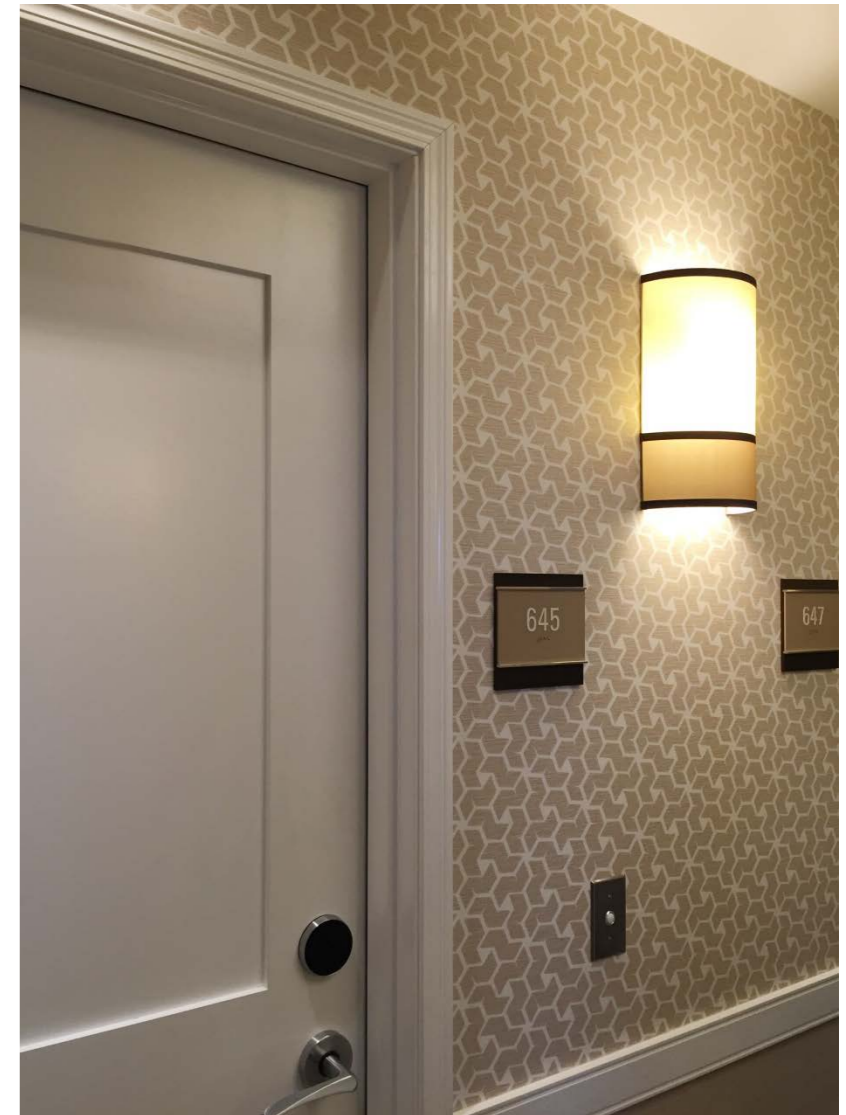
PREFINISHED STEEL FACTS

- Who else uses prefinished steel?
- Ceiling grids
- Appliances
- Roofing
- Timely is the only frame manufacturer in the US using prefinished material



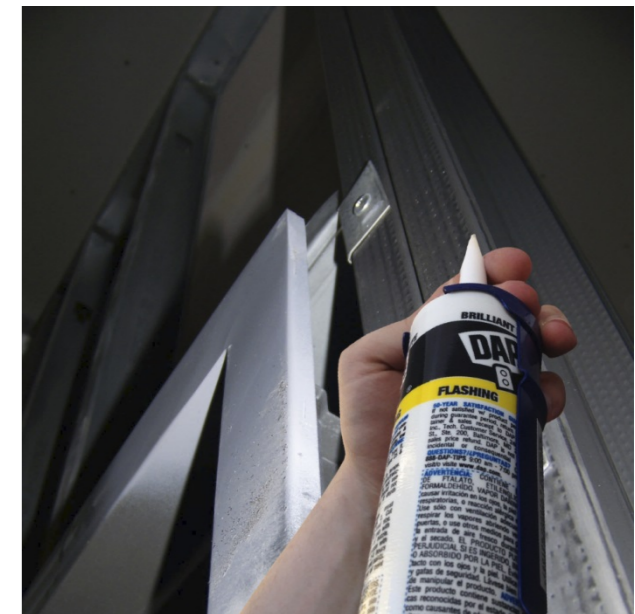
PRE FINISHED STEEL BENEFITS

- Durable
- Finish is consistent
- Long Life expectancy
- This is the most environmentally friendly way to apply paint in the world



PAINTING IN THE FIELD vs PREFINISHED

- Paint manufacturers advise the primer on hollow metal needs a finish coat applied within 30 days of delivery
- How many coats of paint is specified?
- Hollow metal and wood will require caulking
- Additional cost in labor and materials



APPLICATIONS



Lodging



Office-Professional



Medical Office



Dormitories



Buildings Of Worship



Assisted Living



Multi-Family



Schools



Hospital Non-Surgical



Retail

The Art Hotel



1201 Broadway,
Denver, CO 80203

inContact Office Building



75 West Towne Ridge Parkway, Tower 1
Sandy, UT

Florida Hospital Medical Pavilion Sebring



4240 Sun N' Lake Blvd.
Sebring, FL 33872

Grand Canyon University



3300 West Camelback Road
Phoenix, AZ 85017

Alpine Church



5050 S. 1275 W., Riverdale, UT

The Springs At Veranda Park



1641 Veranda Park Dr.
Medford, OR 97504

One Lincoln Park



2001 Lincoln Street
Denver, CO 80202

One Hundred Van Ness



100 Van Ness Ave,
San Francisco, CA 94102

Roosevelt University



430 S. Michigan Avenue
Chicago, IL 60605

Kaiser Permanente



43112 15th Street
W Lancaster, CA 93534

Pet Smart



2224 Route 27
Edison, New Jersey 08817

STEEL FRAME TYPES

WELDED FRAMES

16 gauge



KNOCKED DOWN DRYWALL FRAMES

16 or 18 gauge



PREFINISHED DRYWALL FRAMES

18 or 20 gauge
(with applied casings)



ALUMINUM

- Aluminum has limited fire ratings
- Not easy to repair in the field
- Difficult to install on Poor Wall Construction



TIMELY VS WOOD

WOOD FRAME

SECURITY

Failure point occurs when stop is crushed and door is unlatched.

INSTALLATION LABOR

Installation, caulking and painting.
Extra labor could readily affect the schedule.

MAINTENANCE

Jambs to get kicked in all the time.
High labor cost for per strike jamb replacement.

REPLACEMENT COST

High part cost for per strike jamb replacement.



PREFINISHED STEEL FRAME

SECURITY

Certified test results prove that the engineered anchoring system using 40 or more fasteners allows the lighter gauge frame to withstand far greater forces.

INSTALLATION LABOR

Prefinished opening systems eliminate multiple trips to each opening by laborers, installers and painters.

MAINTENANCE

No maintenance needed.

GalXC is a Hot Dipped Galvanized product that provides superior corrosion resistance in the harshest environments while balancing outstanding surface, gauge, and shape quality.

REPLACEMENT COST

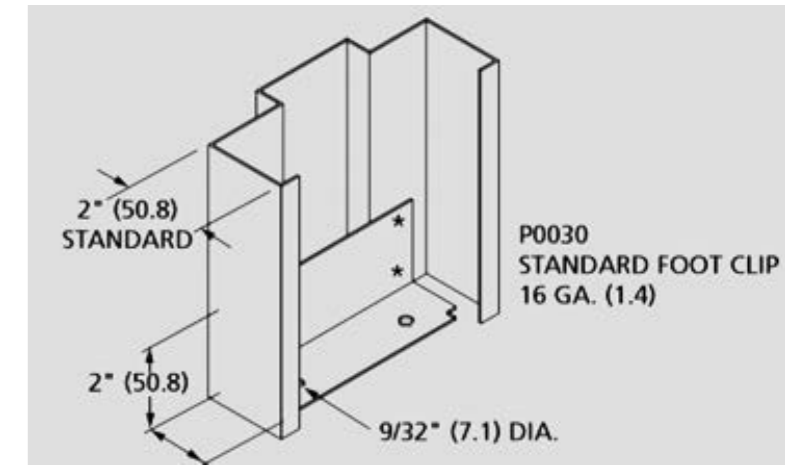
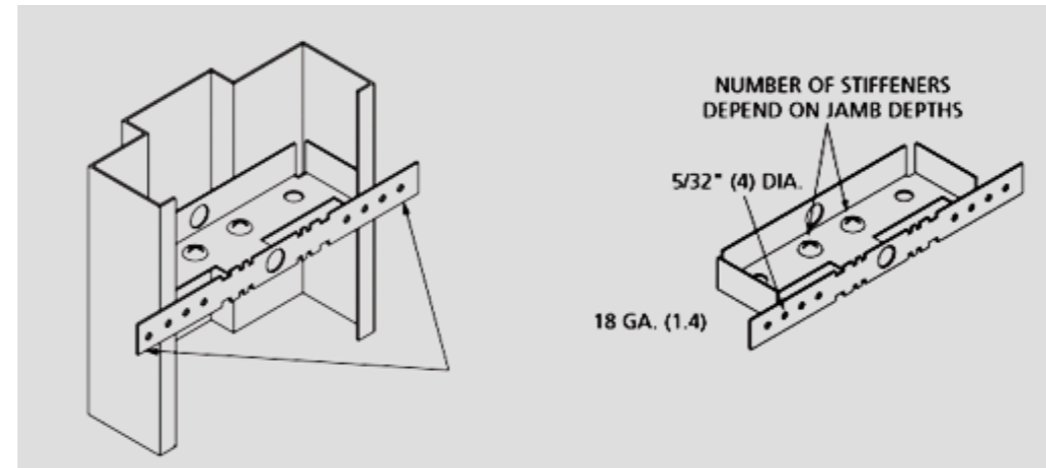
Prefinished frame is completely reusable.



MASONRY FRAMES

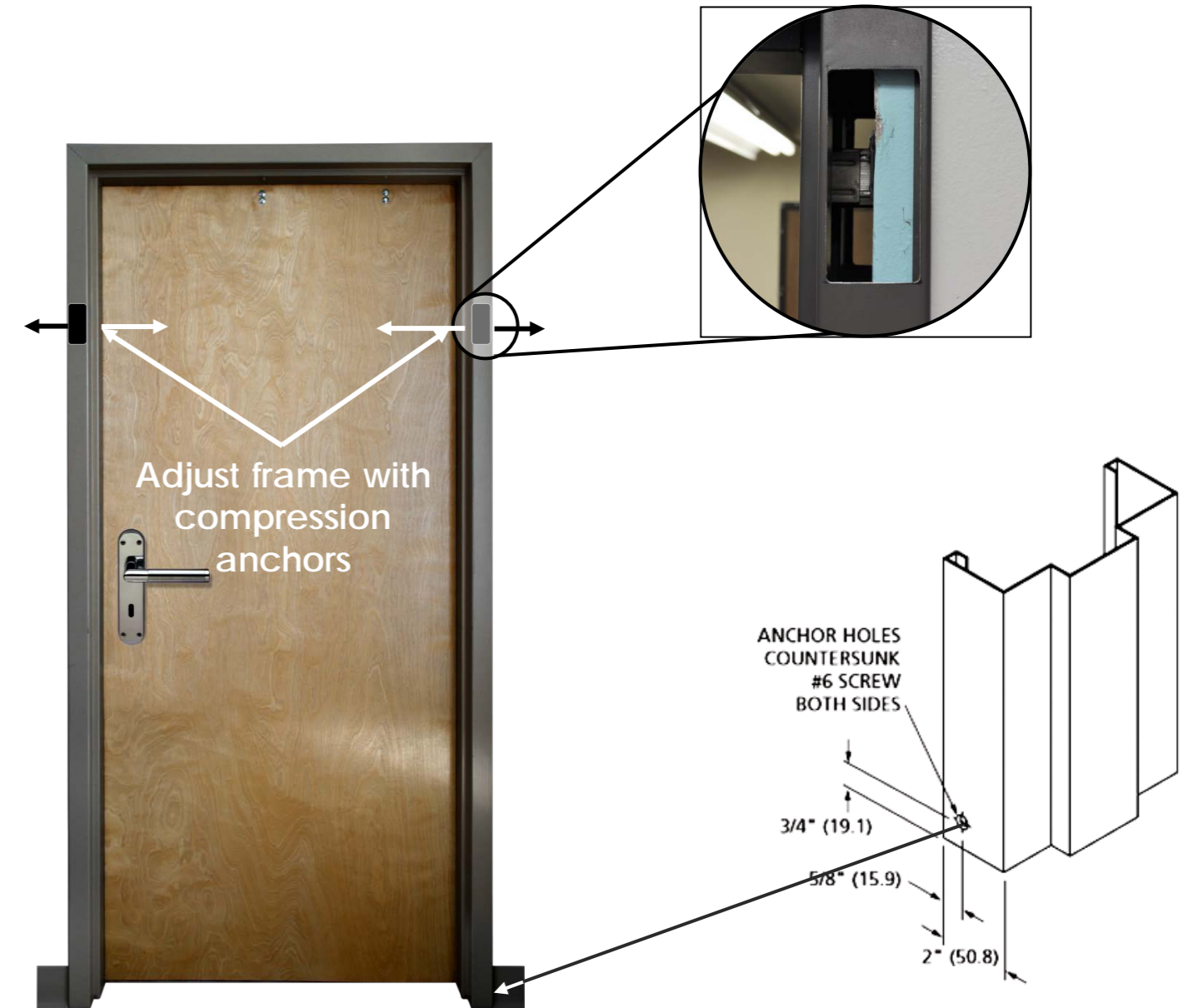
Welded or Knocked Down (KD)

- 6 Anchors to wall
- 2 Floor anchors
- Steel Studs screw in Pull Configuration.
Wood Studs screw in Sheer Configuration



HOLLOW METAL DRYWALL FRAMES

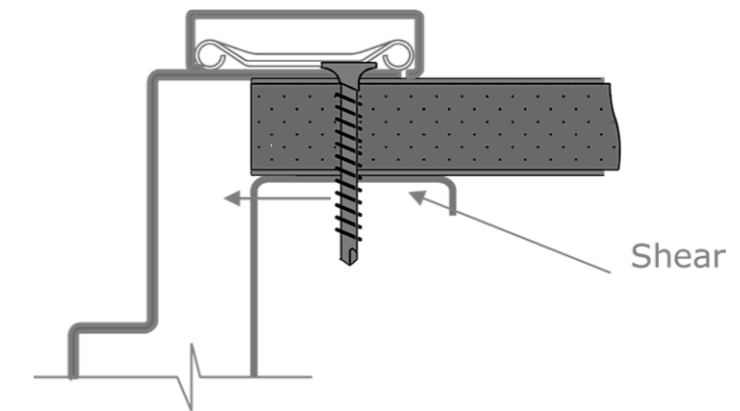
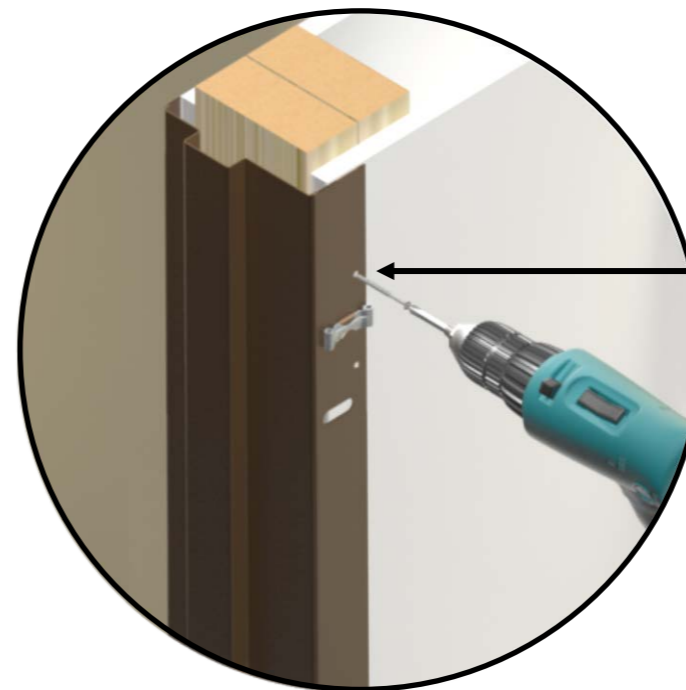
- Slip over a finished wall
- Compression anchors “push” on studs – not physically attached
- Only fasteners to structure are 4 screws at base anchors
- Optional base strap anchors available
- Cannot adjust to uneven wall surfaces



PREFINISHED DRYWALL FRAME WITH APPLIED CASING

- Anchors every 11" around full perimeter of frame on both sides
- Minimum of 40 anchors to structure for 3'0" x 7'0" frame
- All fasteners in shear to the force of the door weight
- Applied casing conceals all fasteners

Casing Clips located around full perimeter of frame. A screw is used at every clip to secure the frame on both sides of the complete opening



Minimum of 40 fasteners per frame concealed by casing

CASING ATTACHMENT SYSTEM

- **Timely** uses a heat treated spring clip system
- **Timely** allows for adjustments by removal of the casing



- **Competitor** uses casing lance system
- **Competitor** casing is difficult to remove and once the casing is put back on it is loose and tends to rattle due to the casing lance



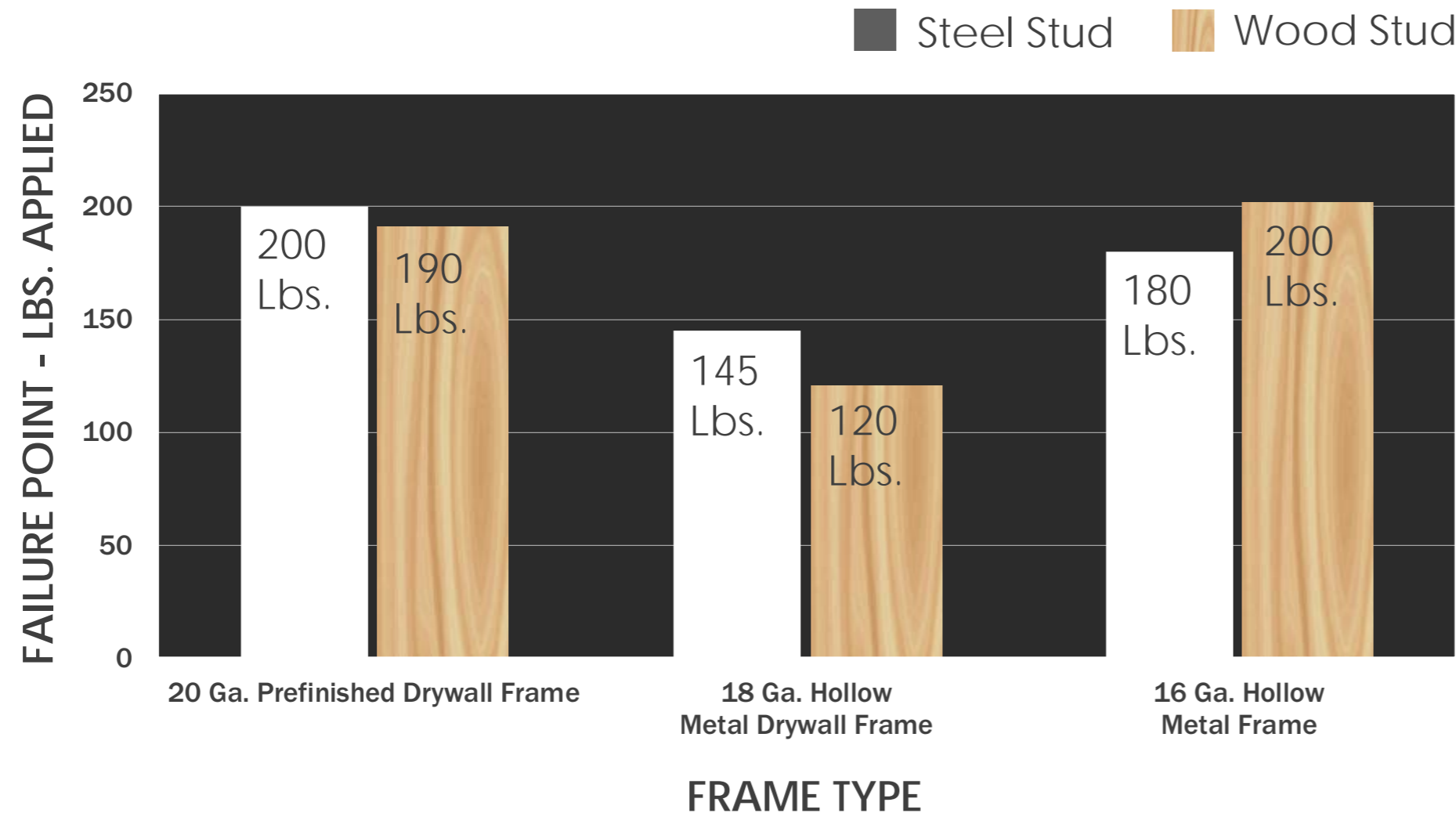
PERFORMANCE COMPARISON

LATERAL IMPACT (TWIST) TEST RESULTS

Lateral force applied to frame until frame, anchors, or fasteners dislodged.

Frequent impact by equipment.

Failure occurs when anchor or fasteners dislodge, allowing frame to move on the wall.

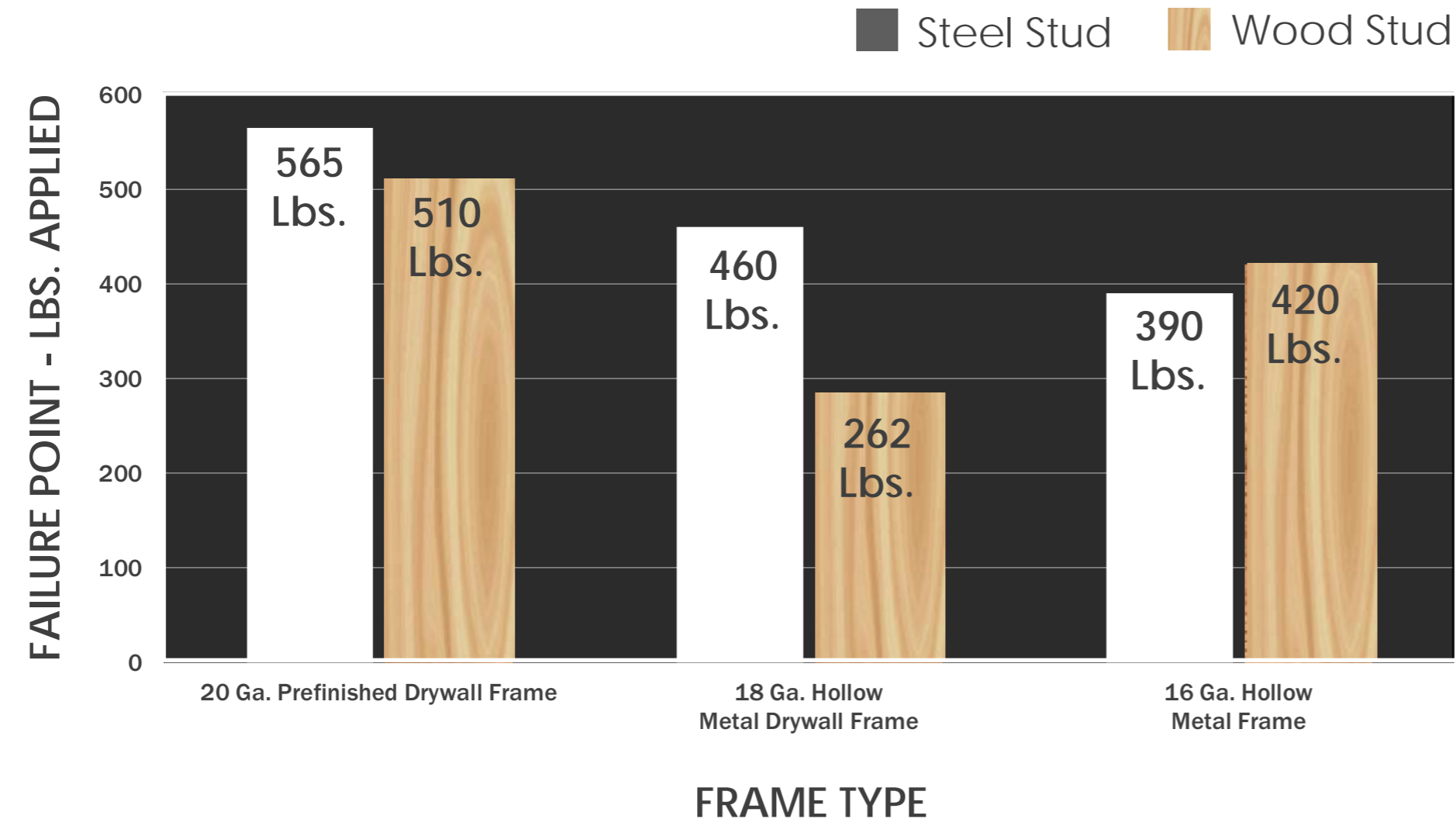


Independent testing conducted and Certified by Product Evaluation & Certification, Inc. (PEC) – 4/24/86

PERFORMANCE COMPARISON

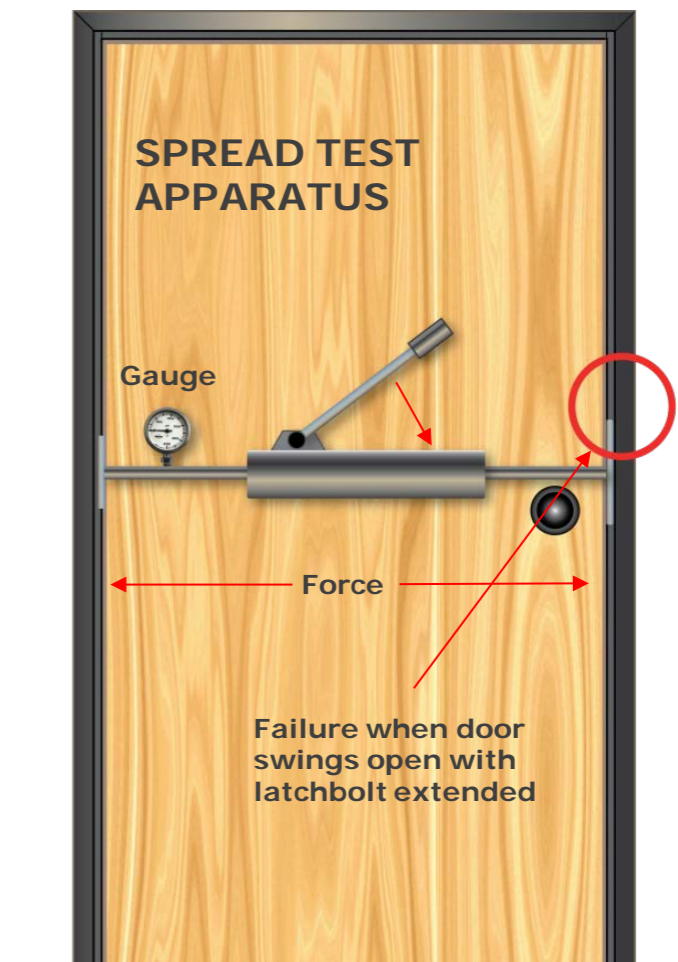
SECURITY (SPREAD) TEST RESULTS

Force applied to frame stops – failure point occurred when door unlatched



Break in attempt.

Failure occurs when frame stop is crushed, then compromised when door opens freely.



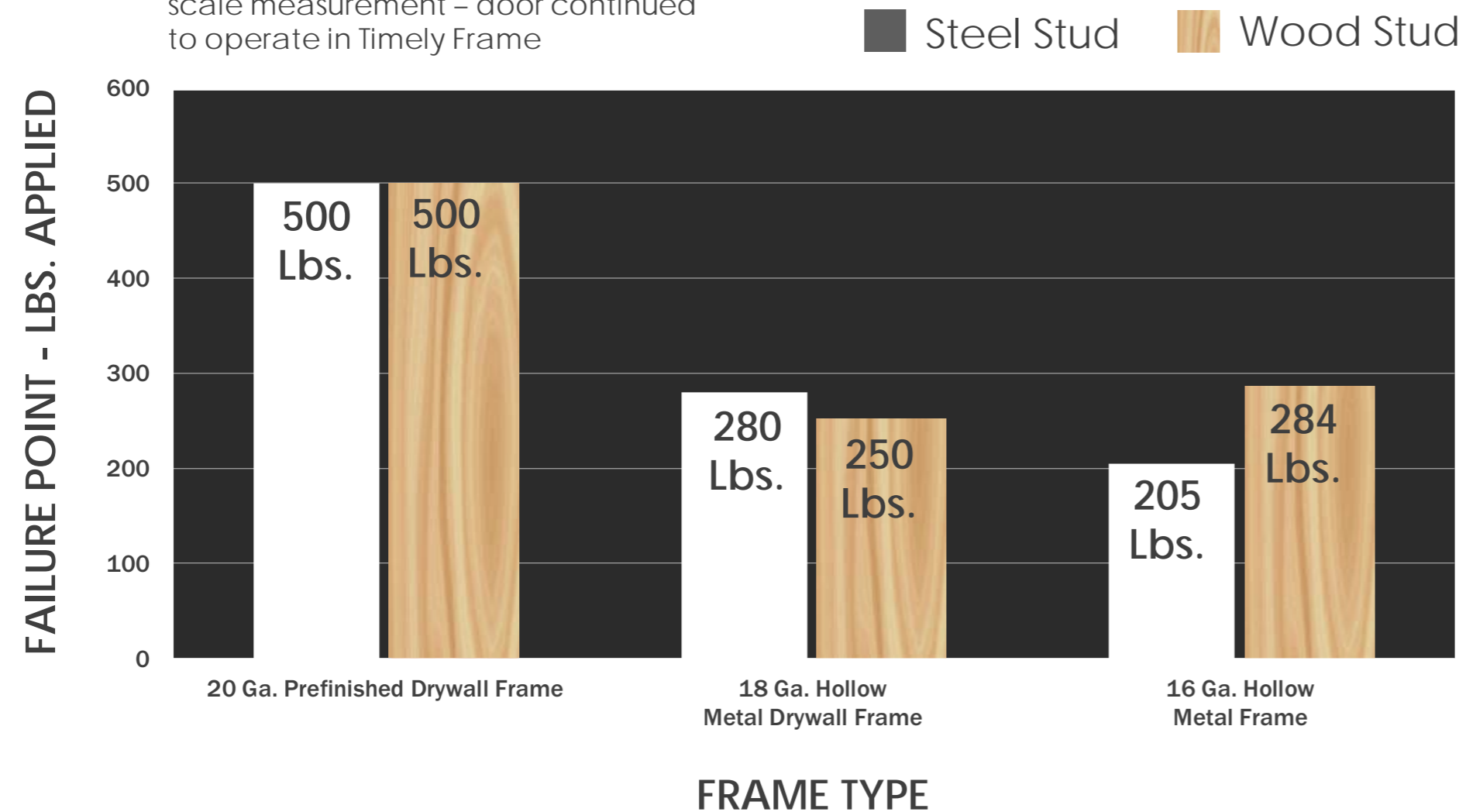
Independent testing conducted and Certified by Product Evaluation & Certification, Inc. (PEC) – 4/24/86

PERFORMANCE COMPARISON

TOTAL DOOR WEIGHT

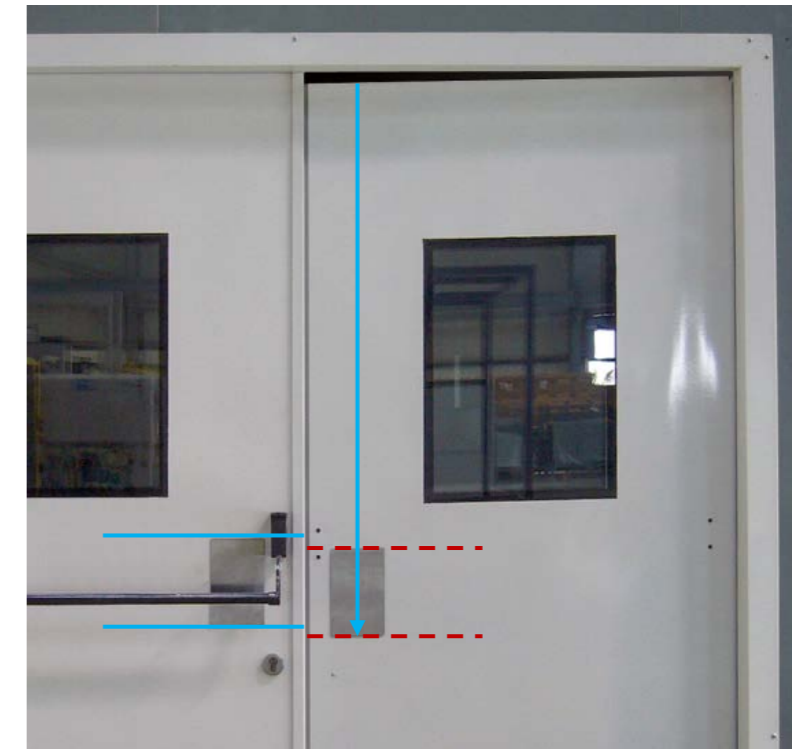
Weight added to door until door closing was impaired

Note: 500 Pounds was the maximum scale measurement – door continued to operate in Timely Frame



Door Sag.

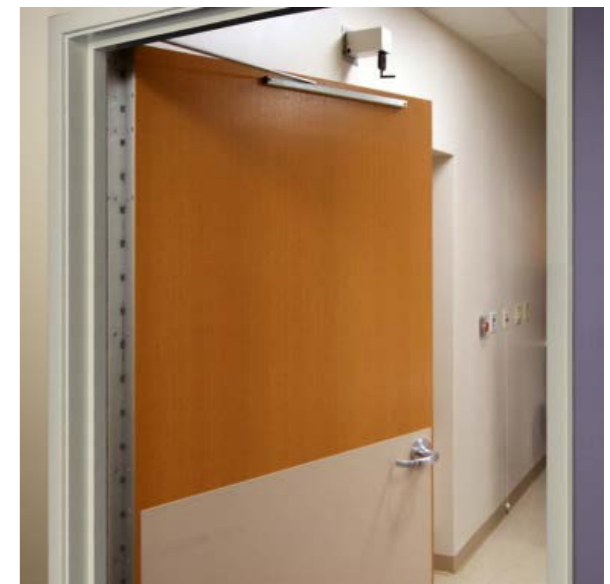
Failure occurs when door sag is so great that door(s) latching is no longer aligned and can not close properly.



Independent testing conducted and Certified by Product Evaluation & Certification, Inc. (PEC) – 4/24/86

PERFORMANCE – PREFINISHED STEEL FRAMES

- Prefinished Steel frames withstand impact
- Can use on heavy doors
- Door will not sag in opening
- Prefinished Steel not easily broken into by intruders
- Can use on wide doors
- Prefinished Steel improves performance



REDUCED COST

TRIPS TO EACH OPENING REQUIRED –
Prefinished frames with applied casings

MATERIAL DISTRIBUTION:

Door, Frame and Hardware in one
trip to the opening

INSTALLATION LABOR:

Pre-finished Door, Frame and
Hardware in one trip to the opening



REDUCED COST

TYPICAL TRIPS TO EACH OPENING – Primed Hollow Metal Frames

MATERIAL DISTRIBUTION:

One trip each for frame, door and hardware

INSTALL:

One trip each for frame, door and hardware

FINISH PREPARATION: One trip to opening

PAINTING: One trip per coat of paint

FINISH TOUCH-UP AND CLEANING: Final trip to opening



PERFORMANCE UNDER STRESS

PERFORMANCE SUMMARY

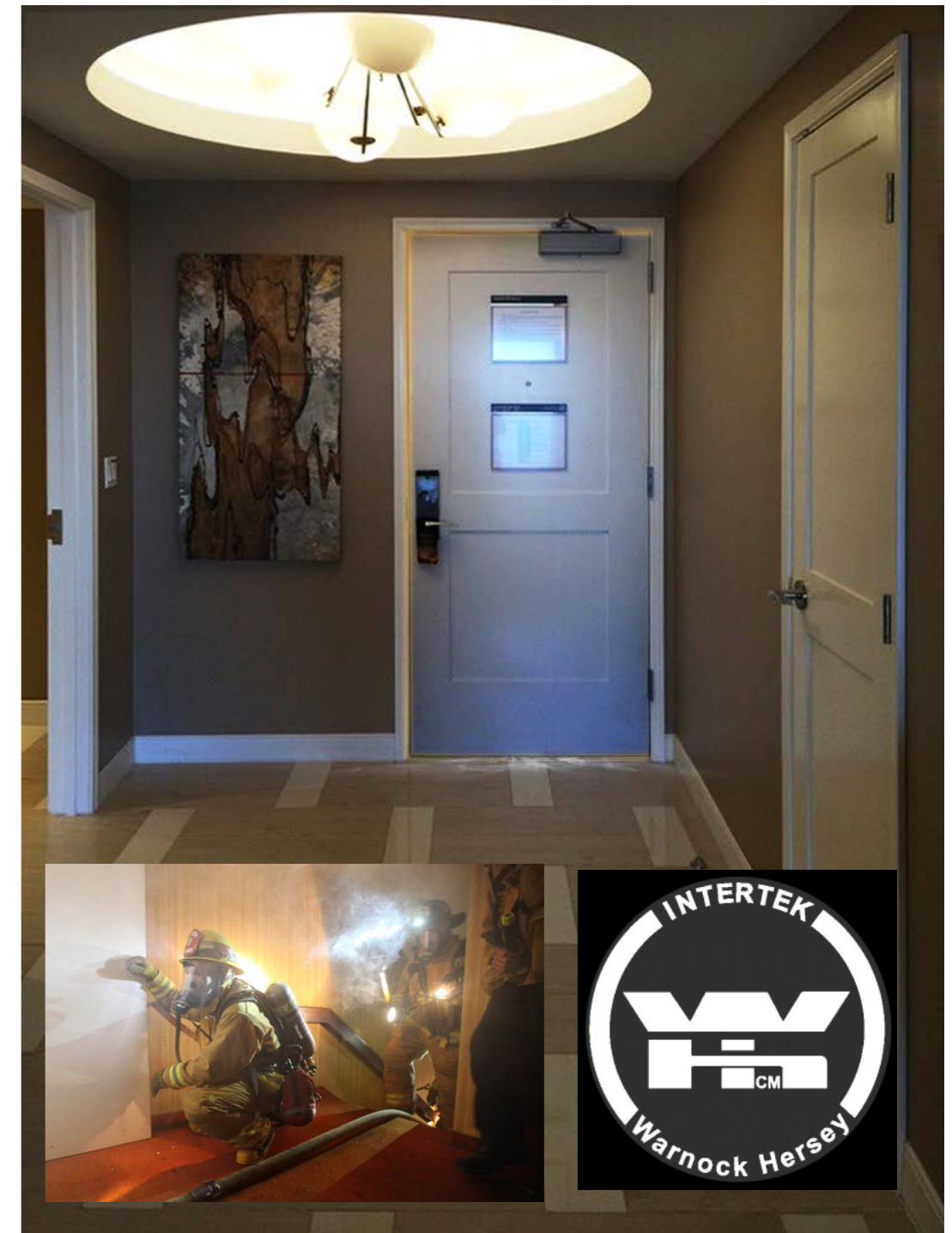
- Frame performance is based on how the frame attaches to the structure, not on the thickness of steel
- Prefinished drywall frame anchors around the full perimeter on both sides making the frame part of the structure
- Hollow Metal Masonry frames rely on six (sometimes eight) 18 gauge anchors that can be easily torn loose or deflect
- Hollow Metal Drywall frames only anchor to the structure at two points at the base of the frame



PERFORMANCE UNDER FIRE

FIRE RATINGS

- 90 Minute Rating – Positive Pressure
 - Single and Pair Frames
 - 20 gauge, 18 gauge
 - Up to 8'0" x 9'0"
- 45 Minute Rating – Positive Pressure
 - Sidelight and Borrowed light
 - 36" width – up to 1,296 sq. in.
 - 24" width – up to 2,568 sq. in.



LEED & SUSTAINABILITY

LEED CONTRIBUTION

- MR4.1, MR4.2 – Recycled Content
 - Steel Frame with Steel Casing
 - 28.9% of Material cost
 - Steel Frame with Aluminum Casing
 - 41.2% – 45% of Material cost
- Daylighting and Views
 - Contributes to Daylighting and Views using sidelights, borrowed lights and transoms

- Proximity
 - Manufactured in Pacoima, CA 91331 (MR5.1)
- Jobsite Contribution
 - All packaging recyclable
 - No jobsite VOC issues

SUSTAINABILITY

- Easily re-installed in new openings
- 100% recyclable product



LEED & SUSTAINABILITY

Choosing to use our aluminum casing will also produce good sustainable benefits. The post-consumer percentage is 50% and the pre-consumer percentage is 25% resulting in a contribution of 62.5% on aluminum.

Sustainability contribution for frames is based on material cost with the following percentages:

- | | |
|---|-------|
| • Steel frame with Steel Casing | 28.9% |
| • C Series Steel frame with TA-23 Aluminum Casing | 41.2% |
| • C Series Steel frame with TA-28 Aluminum Casing | 44.0% |
| • S Series Steel frame with TA-23 Aluminum Casing | 42.1% |
| • S Series Steel frame with TA-28 Aluminum Casing | 45.0% |



AESTHETIC CONSIDERATIONS
COLORS, CASINGS AND CREATIVITY



CASING OPTIONS

TA-8 3/8" – 1/4" REVEAL



CASING OPTIONS

TA-30 STEEL COLONIAL – 1/4" REVEAL



CASING OPTIONS

**TA-23 ALUMINUM –
1/4" REVEAL**



CASING OPTIONS

TA-28 ALUMINUM – NO REVEAL



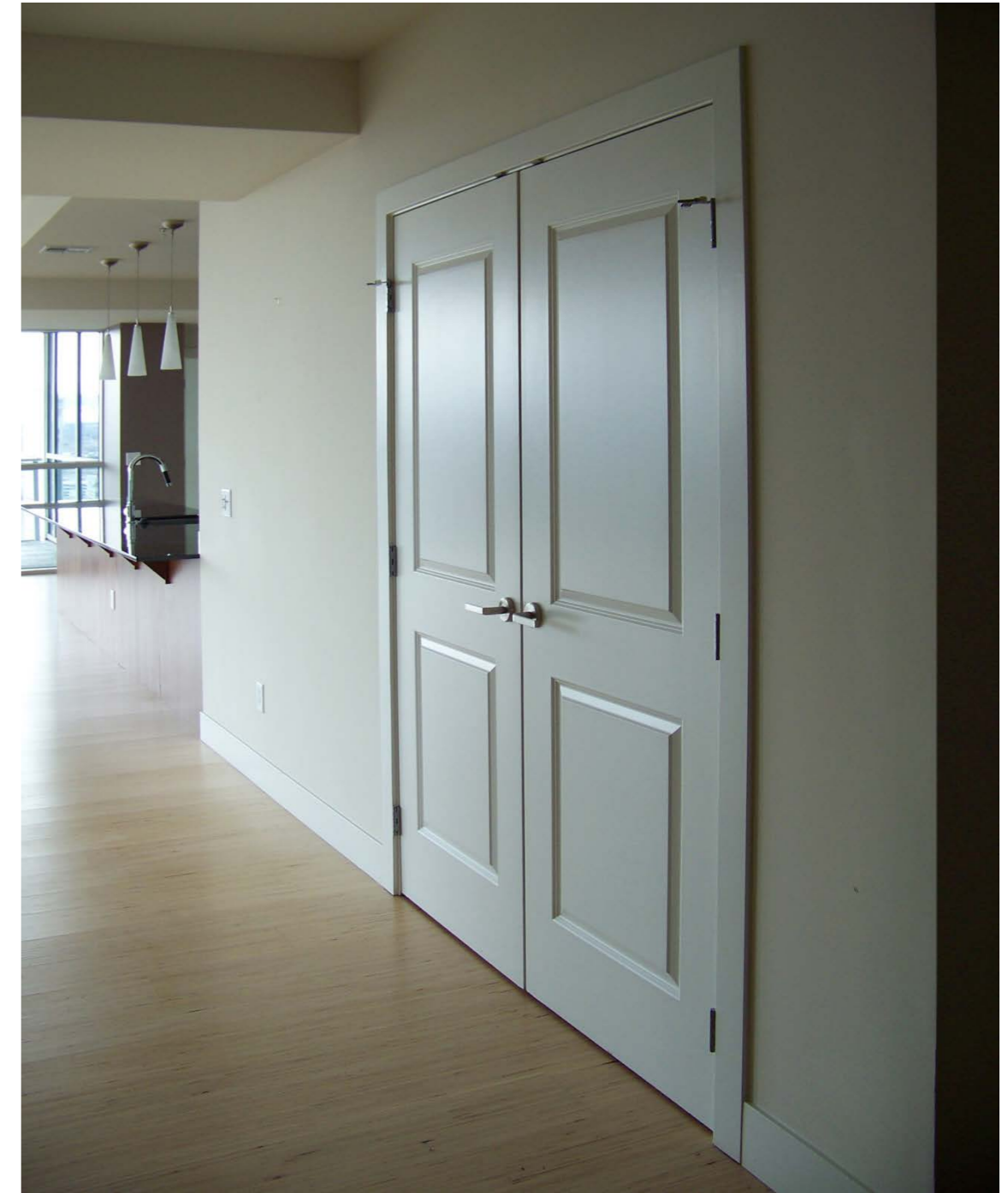
CASING OPTIONS

**TA-28M ALUMINUM –
NO REVEAL**
(Used for Mullions)



CASING OPTIONS

**WOOD CASING –
(SUPPLIED BY OTHERS)**



STANDARD FINISHES



BROWNTONE (SC101)



AUTUMN BROWN (SC102)



BLACK (SC103)



STONE GRAY (SC106)



WESTERN WHITE (SC107)



ALUMATONE (SC108)

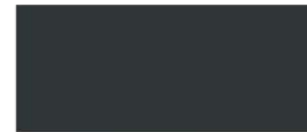


PRIMER (SC109)

PRE-MATCHED CUSTOM FINISHES



WHITE SMOKE (CC302)



CHARCOAL (CC401)



DRIFTWOOD (CC501)



BLACK BEAN (CC611)



DOESKIN (CC603)



PACIFIC BLUE (CC801)



OCEAN SPRAY (CC811)



NAVAJO WHITE (CC104)



BONE CHINA (CC303)



CAPE COD GRAY (CC402)



SANDY BEACH (CC502)



URBANE BRONZE (CC612)



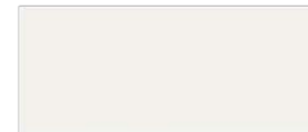
HARVEST MOON (CC604)



TWILIGHT (CC802)



MALIBU GREEN (CC904)



WINTER WHITE (CC105)



DESIGNER WHITE (CC304)



NEUTRAL GRAY (CC403)



CAMEO BEIGE (CC503)



BROWN SUGAR (CC601)



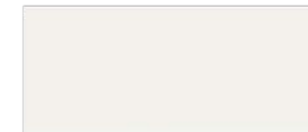
CORDOVAN (CC701)



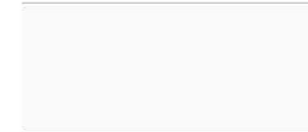
JADE (CC901)



BLACK NICKEL (CC905)



WHITE WHITE (CC301)



SNOW WHITE (CC311)



NICKEL (CC404)



THUNDER (CC511)



COCOA (CC602)



RUBY RED (CC702)



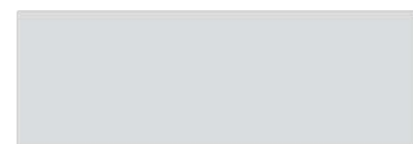
KENTUCKY GRASS (CC902)

Custom color matching also available. Submit color chip. Consult factory for pricing.

ELITE SERIES



430 BRIGHT STAINLESS STEEL (ES204)



304 #4 BRUSHED STAINLESS STEEL (ES206)

CREATIVITY

Sidelights

Borrowed Lights

Transoms and Clerestories



HARDWARE PREPARATIONS

CUT AND WELD (CAW)

- Concealed Vertical Rod Exit Device Strikes
- Electronic Power Transfers (EPT)
- Overhead Concealed Stops and holders
- Overhead Concealed Closers
- Center Hung Pivot Sets
- Rescue hardware
- Recessed Magnetic Contacts and Switches



STRIKES

- Adjustable "T" Strike
- ASA Strike – Mortise Lock
- Electric Strikes
- Flush Bolt Strike
- Deadbolt Strike
- Roller Latch Strike
- 2 1/4" Full Lip Strike
- Euro Mortise Lock Strike



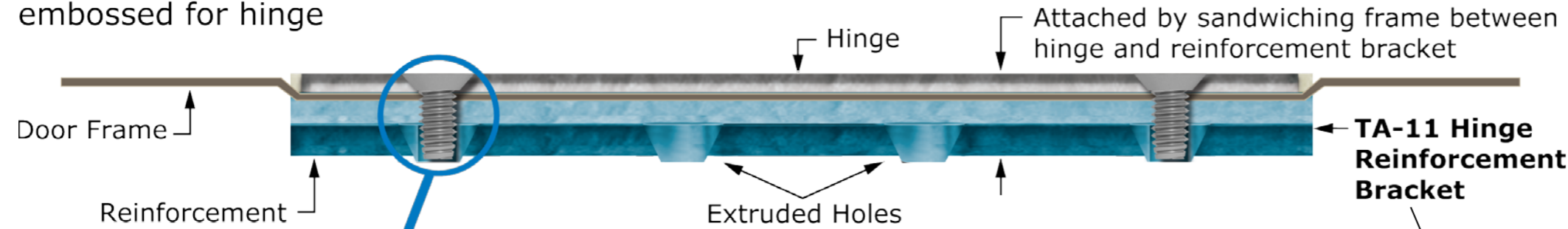
HINGES

- 3 1/2", 4", 4 1/2", 5"
- 0.180 depth on 4 1/2" and 5" Heavy Weight Hinge Prep
- Electric Hinge Preps available
- Radius or Square corner
- Residential and Commercial weight



HINGE REINFORCEMENTS

TIMELY 20 Gauge frame embossed for hinge



THREAD DEPTH
60% more threads than other manufacturers

.224" is equivalent to 4 gauge

THREAD DEPTH

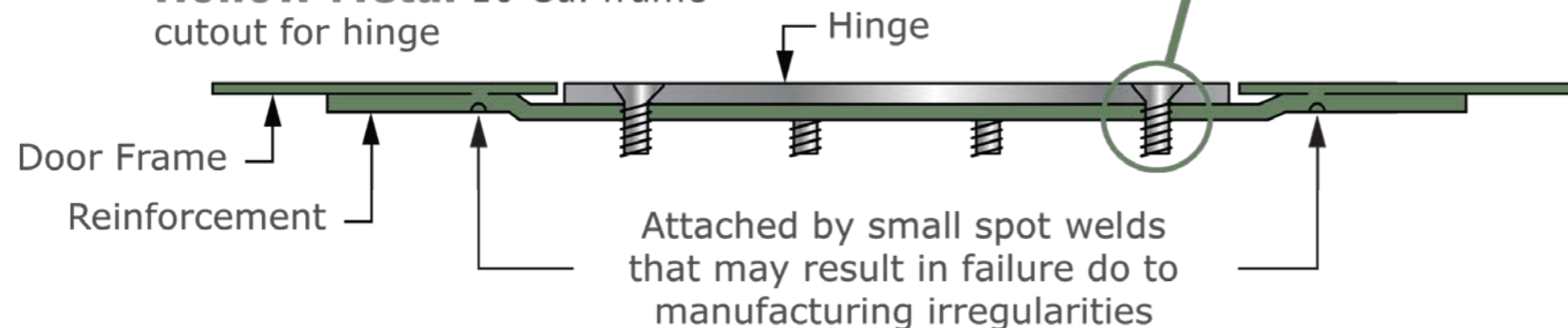
.134"



EXTRUDED SCREW HOLES VS TAPPED SCREW HOLES

Timely's hinge reinforcements screw holes are extruded therefore the pushed out steel grabs more threads on hinge screws giving the frame a stronger holding capacity. This method exceeds the requirements of ANSI A250.8 (10 gauge) reinforcement.

Hollow Metal 16 Ga. frame cutout for hinge

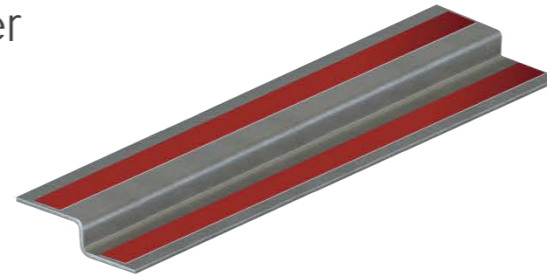


TIMELY'S REINFORCEMENT SYSTEM

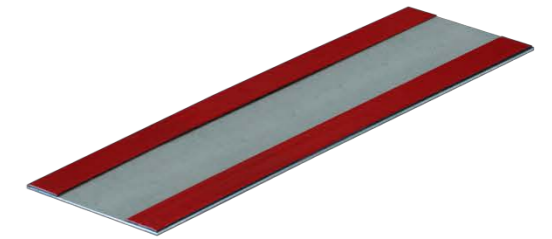
TA-10 reinforcement bracket for regular arm closer



TA12 Reinforcement bracket for parallel arm closer



TA25 multipurpose reinforcement bracket



TA-10M Reinforcement Bracket Used as a filler when preparing frame for Electric Strike



TA-47 Parallel Arm Closer Reinforcement Bracket – Fixed Throat Kerf Frame (was TA-12K)



TA-48 Parallel Arm Closer Reinforcement Bracket – Adjustable Kerf Frame



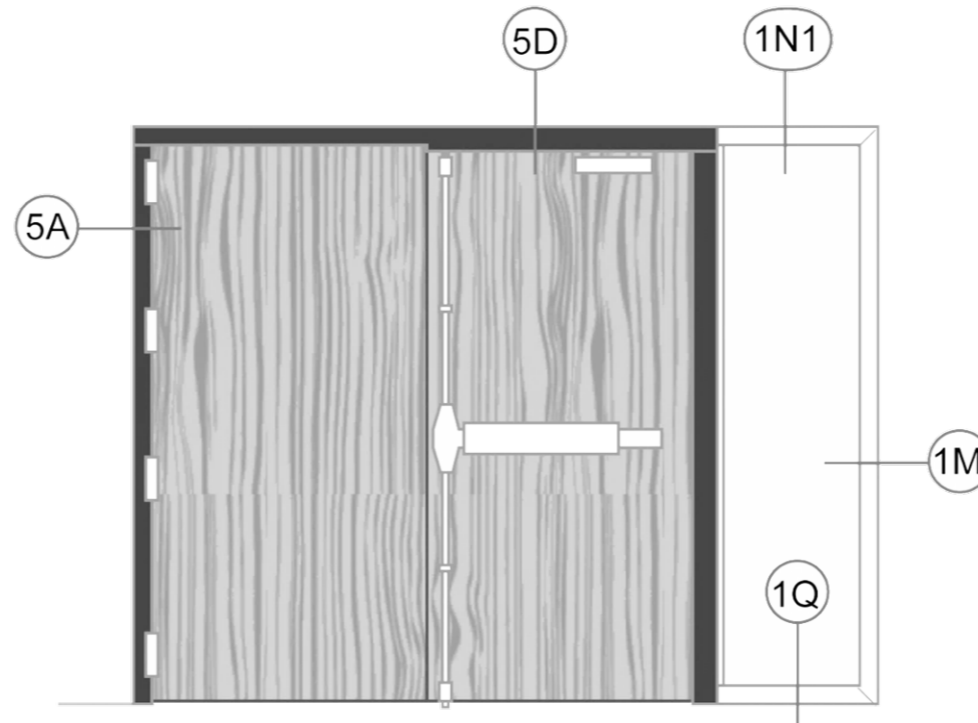
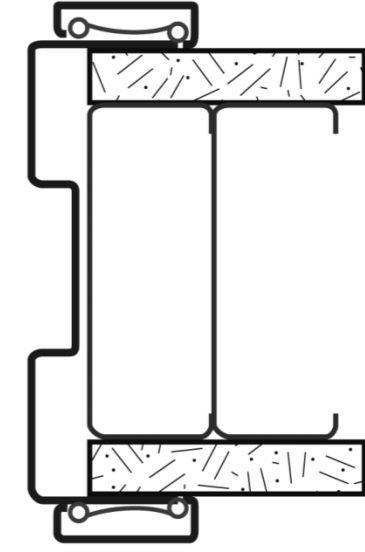
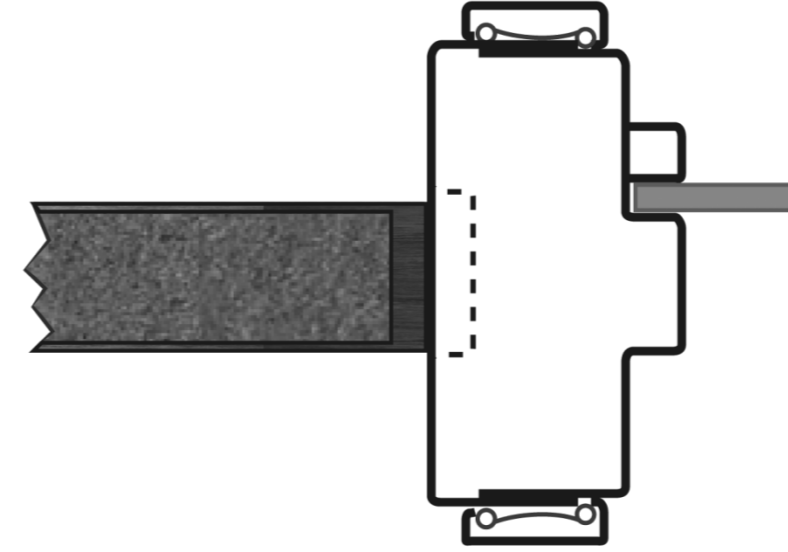
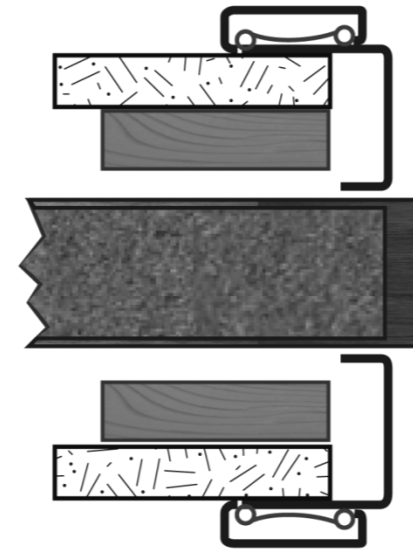
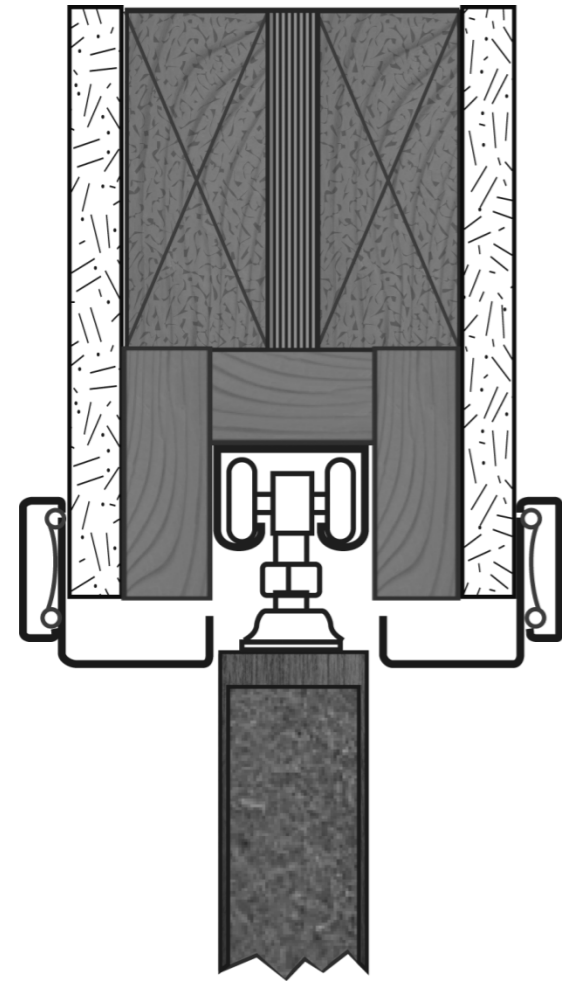
TA-11 Hinge Reinforcement Bracket (Specify Hinge Size and /Screw Pattern Emboss)



TA-58 Continuous Hinge Reinforcement (Specify 6-8, 7-0 or 8-0 Length)

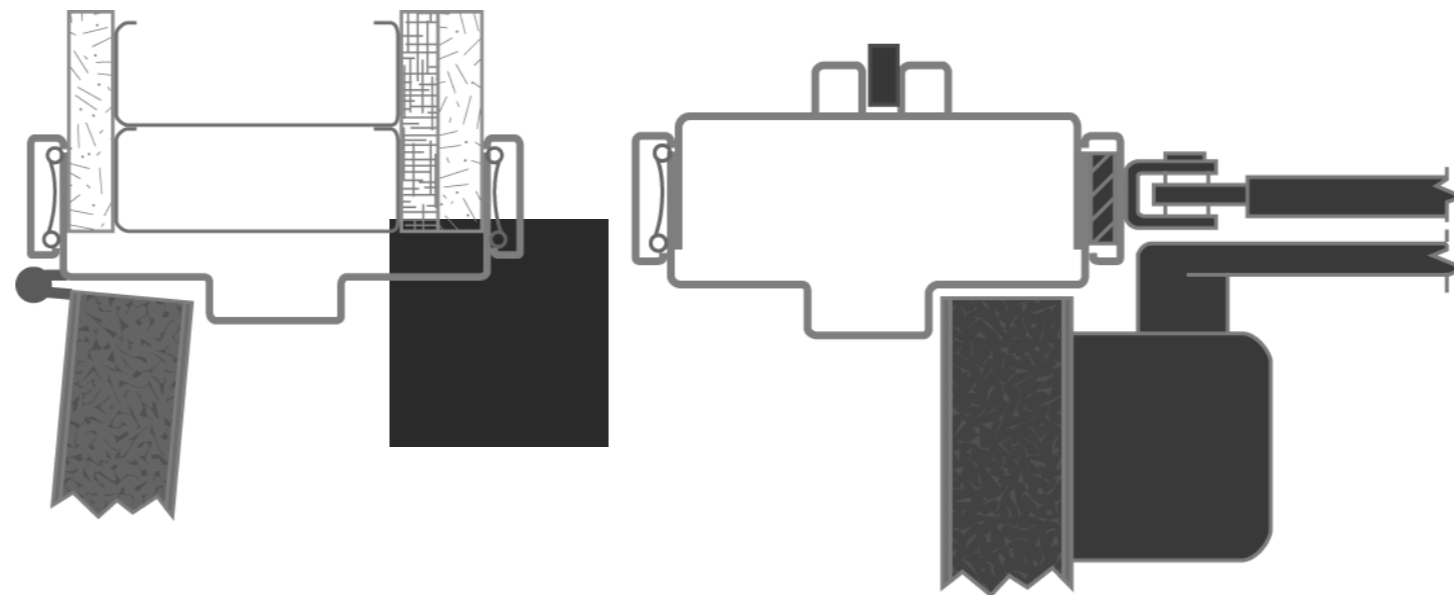


PLAN DETAILS AND ELEVATIONS



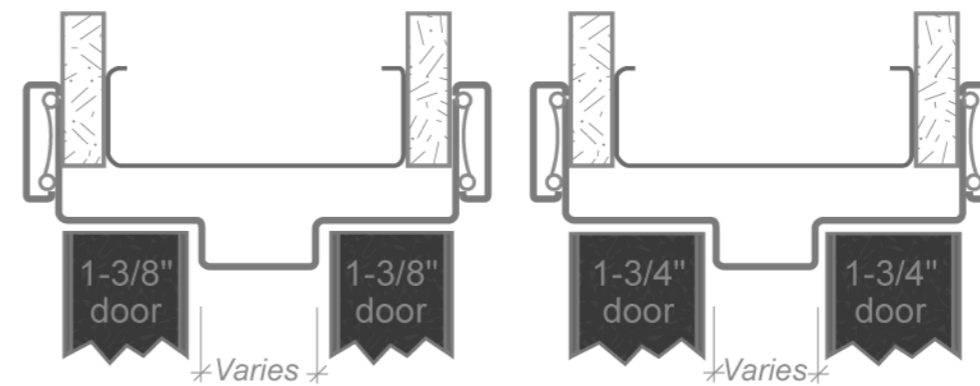
UNEQUAL RABBET (STANDARD)

- Use with 1 3/4" or 1 3/8" doors
- 18 gauge or 20 gauge



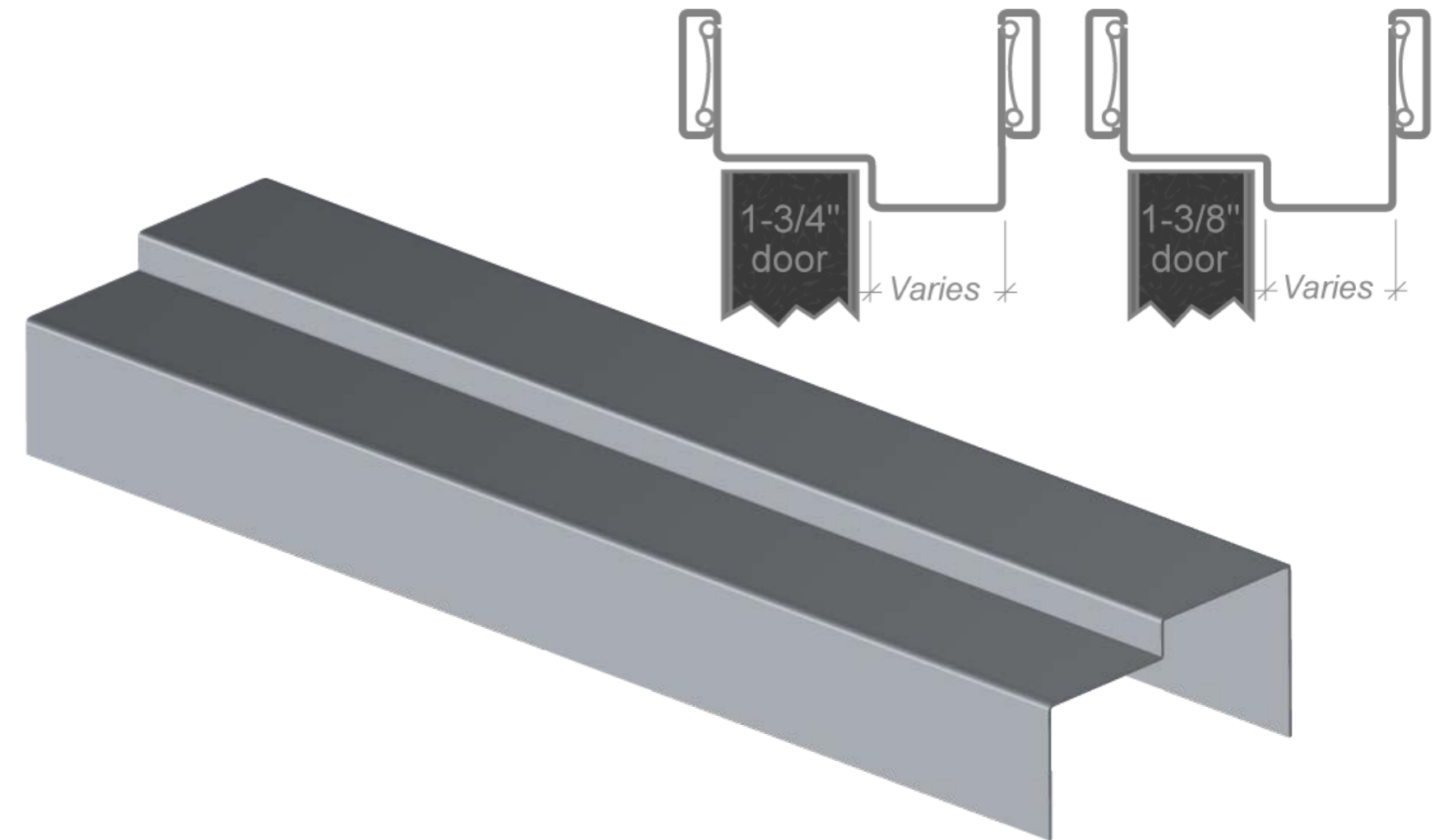
EQUAL RABBET

- Use with 2 ea. 1 3/4" doors or 2 ea. 1 3/8" doors
- 18 gauge only
- Equal Rabbet used for Communication doors



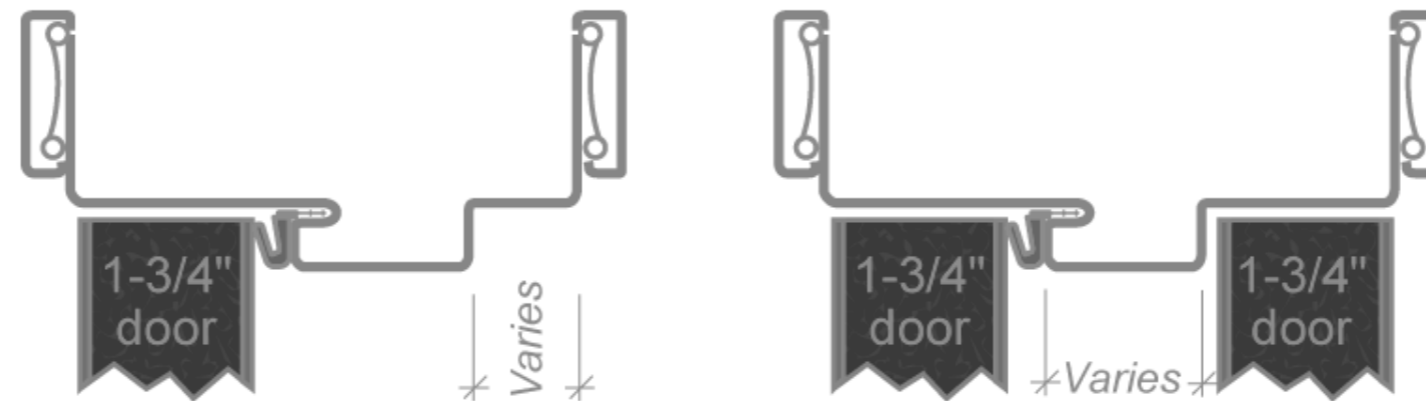
SINGLE RABBET

- Use with 1 3/4" or 1 3/8" door
- 18 gauge only



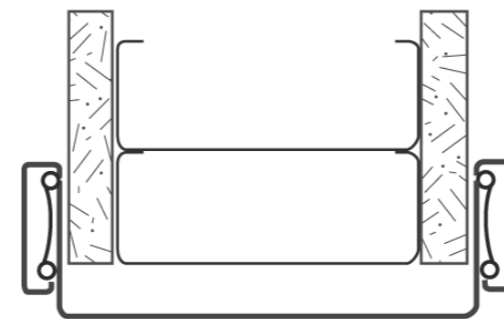
KERFED, DOUBLE RABBET

- 1 3/4" door only
- Smoke gasket /weatherstrip factory installed



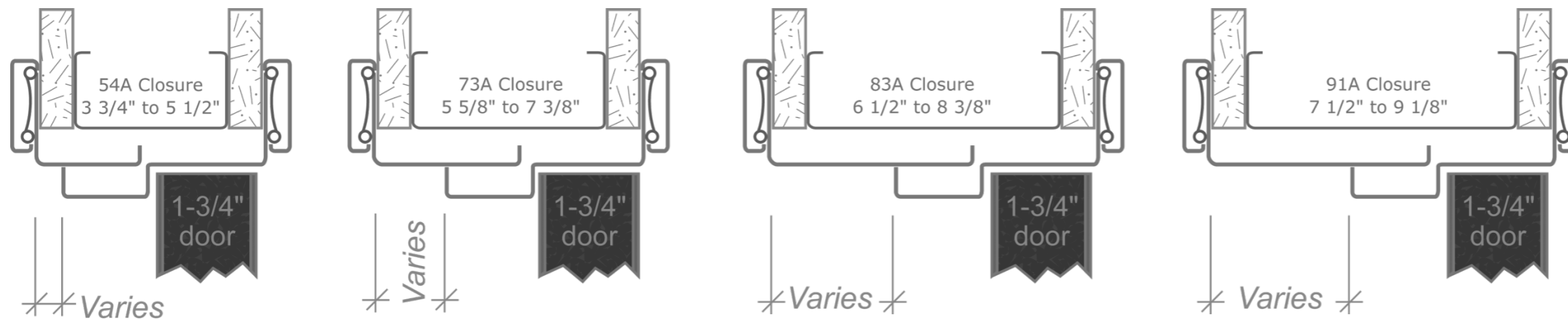
CASED OPENING

- No stop – double acting doors, pocket trim jamb
- Cased opening can be used for Barn Door Applications



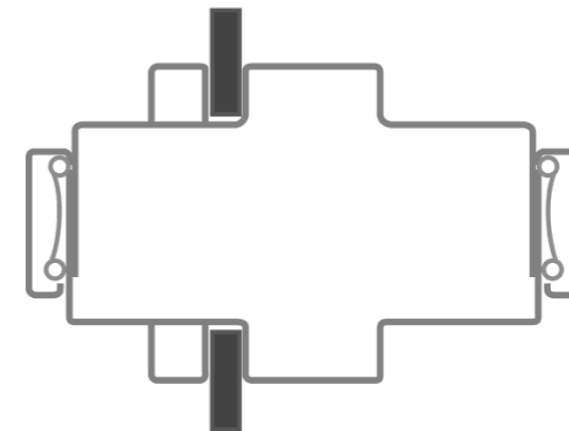
ADJUSTABLE

- 18 gauge, 1 3/4" door only
- 54A – 3 3/4" through 5 1/2" Wall
- 73A – 5 5/8" through 7 3/8" Wall
- 83A – 6 1/2" through 8 3/8" Wall
- 91A – 7 1/2" through 9 1/8" Wall



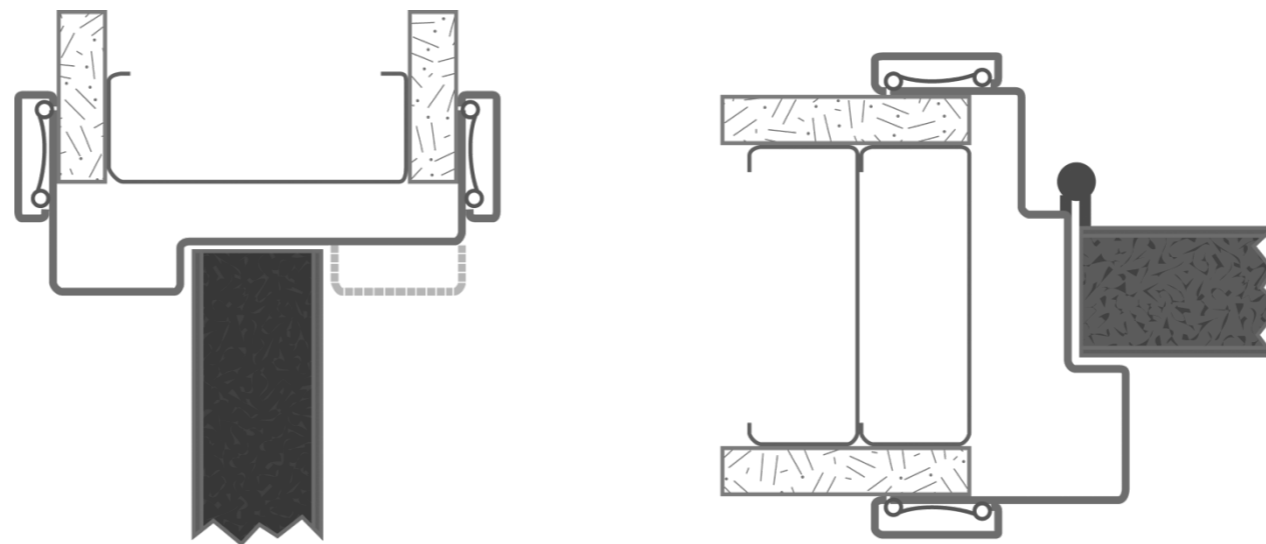
MULLIONS

- For sidelight, borrowed light, and transom frame



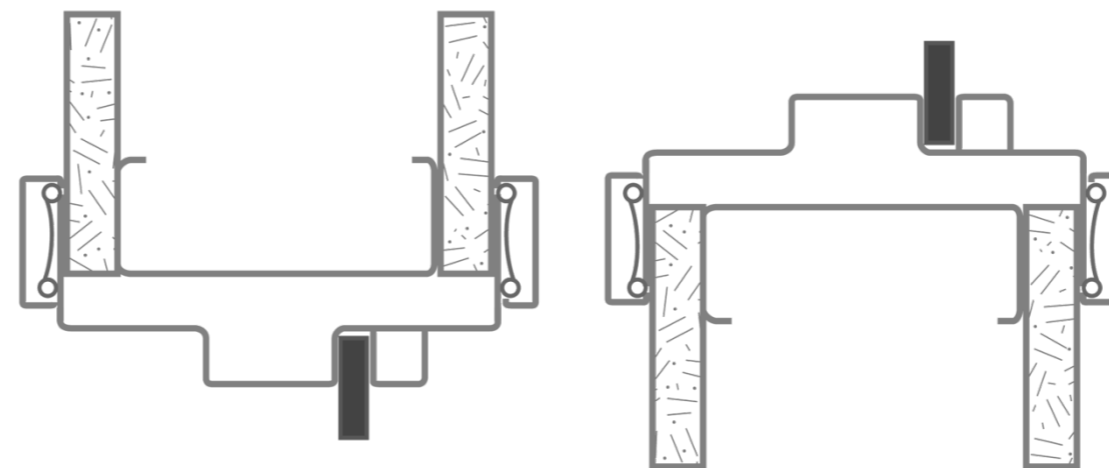
DOUBLE EGRESS FRAME

- 1 3/4" door only
- 18 gauge only



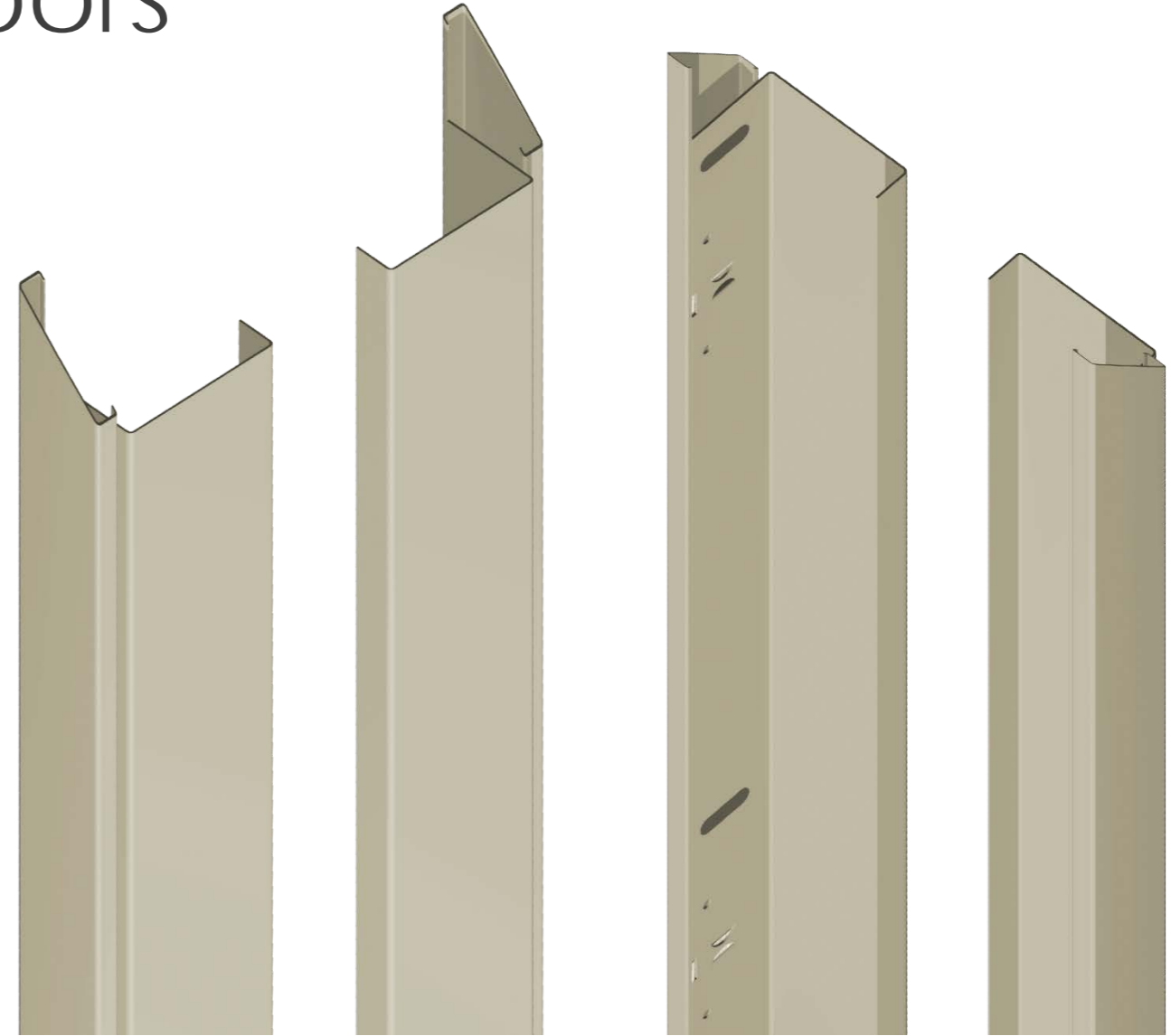
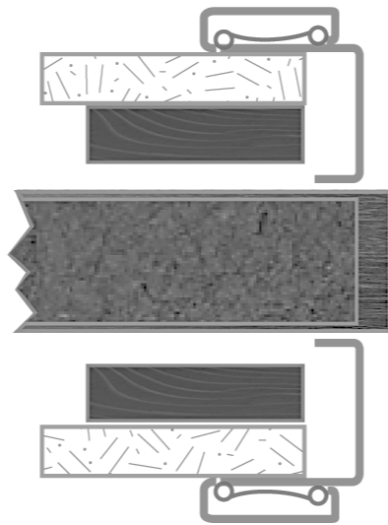
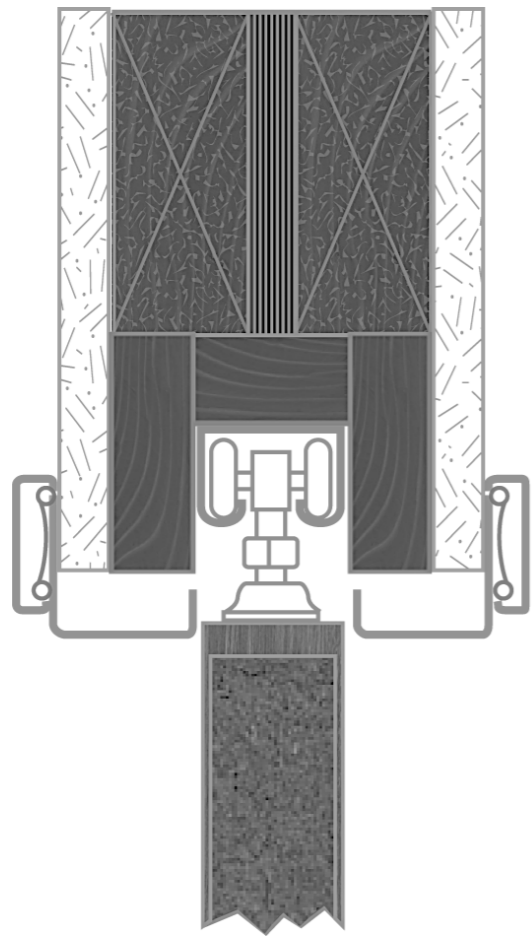
ASYMMETRICAL BORROWED LIGHT WINDOW

- Bring light into the interior of a building, or into rooms that cannot have external windows — often from an adjoining room
- Preserve as much of the view as possible.



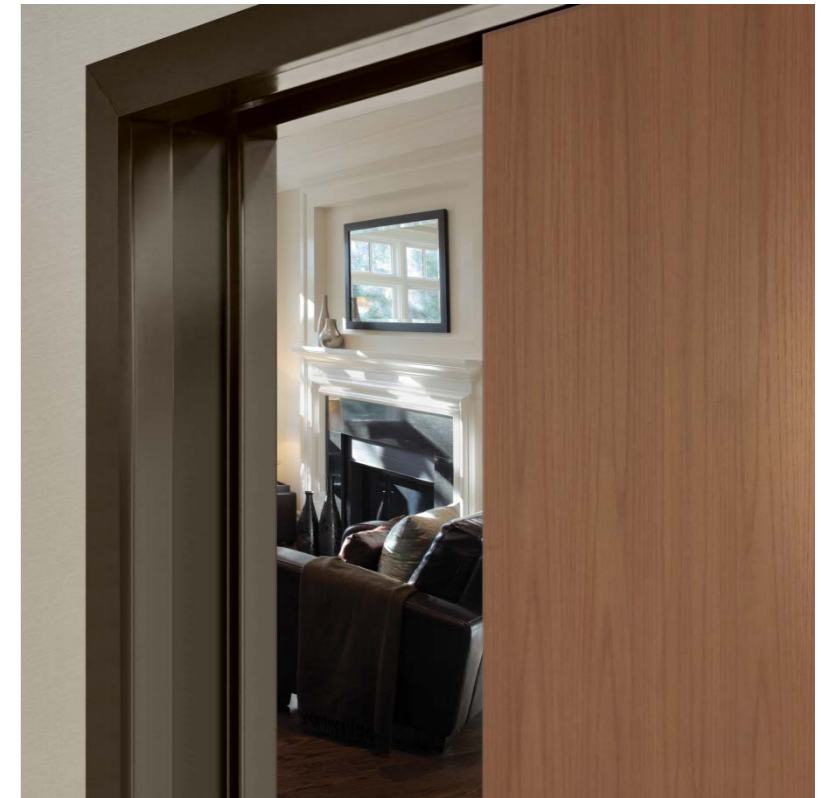
POCKET TRIM

- J-Trim for 1 3/4" or 1 3/8" pocket doors

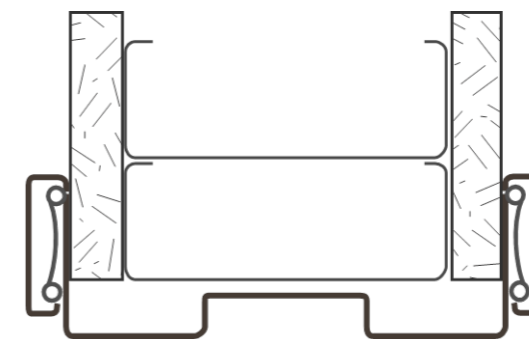


INVERTED STOP POCKET JAMB

- Door closes into a recess on the jamb creating privacy desired for these applications
- The jamb can be prepared for the lock strike making the opening both private and secure

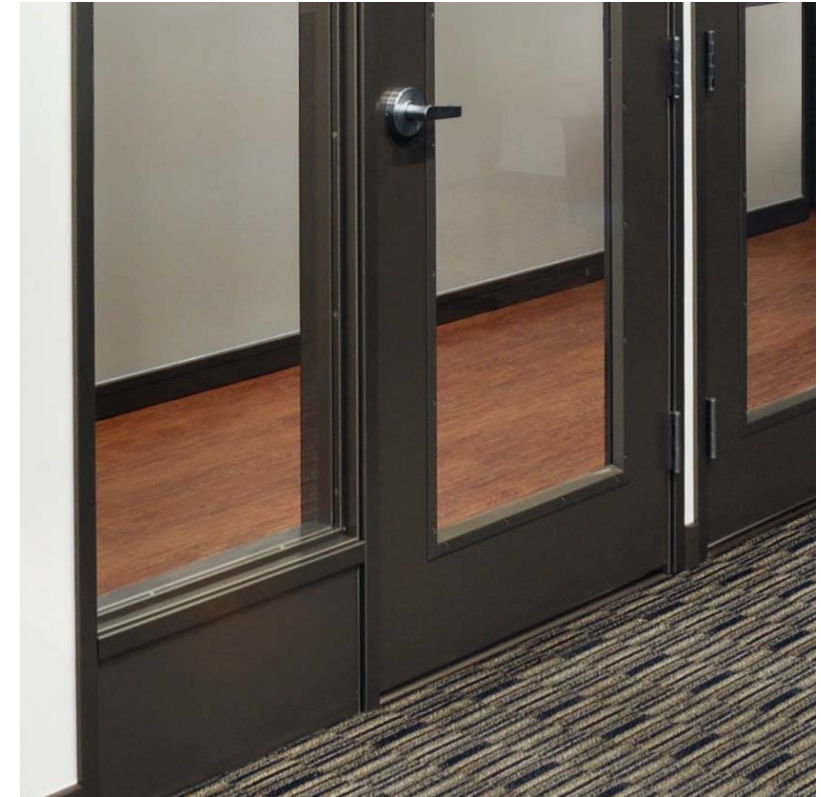


Inverted Stop

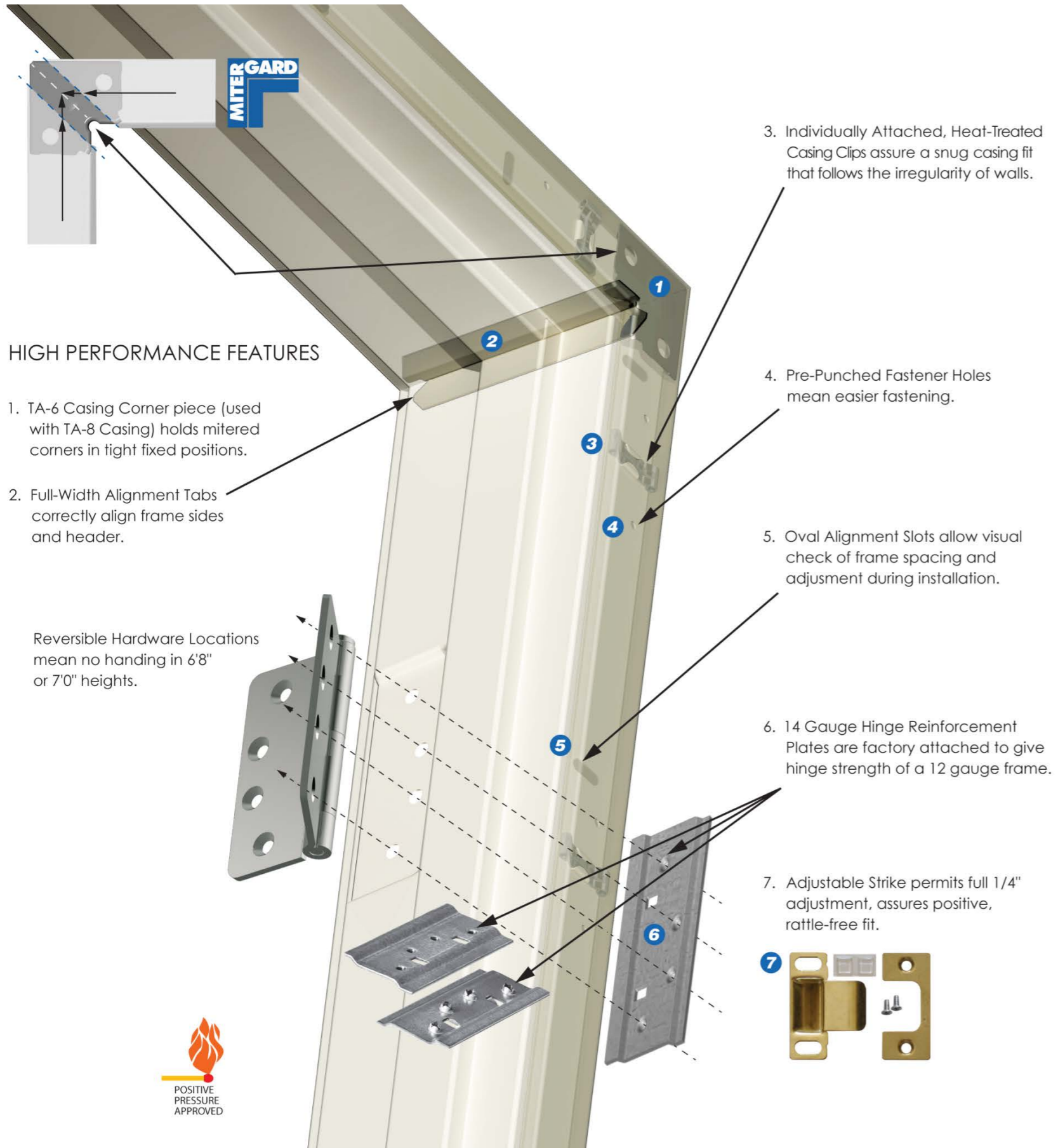


EXTENDED SILL

- A sill face of up to 12" high is now available from Timely
- Much easier to keep the sidelight glass clean
- The flat surface meets ADA requirements



HIGH PERFORMANCE FEATURES



8. Reinforcement Brackets are reinforcements for door guards, closers and other hardware applications. Reversible Hardware Locations mean no handing in 6'8" heights.

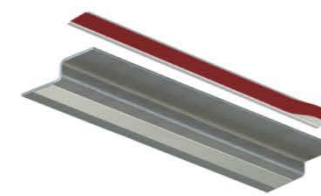
TA-10 reinforcement bracket for regular arm closer



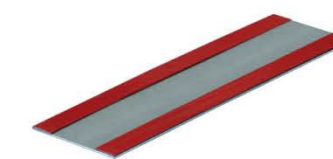
TA-10M Reinforcement Bracket Used as a filler when preparing frame for Electric Strike



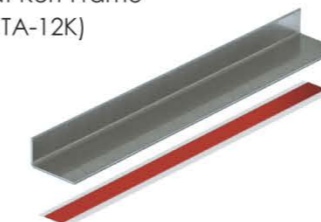
TA12 reinforcement bracket for parallel arm closer



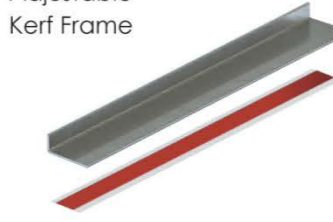
TA25 multipurpose reinforcement bracket



TA-47 Parallel Arm Closer Reinforcement Bracket – Fixed Throat Kerf Frame (was TA-12K)



TA-48 Parallel Arm Closer Reinforcement Bracket – Adjustable Kerf Frame



With **Timely's Total Opening Concept (TOC)** an installer can install the prefabricated frame, door and hardware at one time. This results in substantial savings.

This **Prefinished T.O.C. system** provides design flexibility and considerable sustainability benefits.



SUMMARY

OUTPERFORMS TRADITIONAL HOLLOW METAL FRAMES

Lateral Impact
Security
Total Door Weight
Hinge Reinforcement



UNMATCHED DESIGN FLEXIBILITY

Finishes
Casing Options
Borrowed lights, Transoms
and Sidelights



LOWER TOTAL OPENING COST

Reduces Distribution
and Installation
Eliminates finishing labor
Lower material costs
Sustainability



THANK YOU FOR YOUR TIME