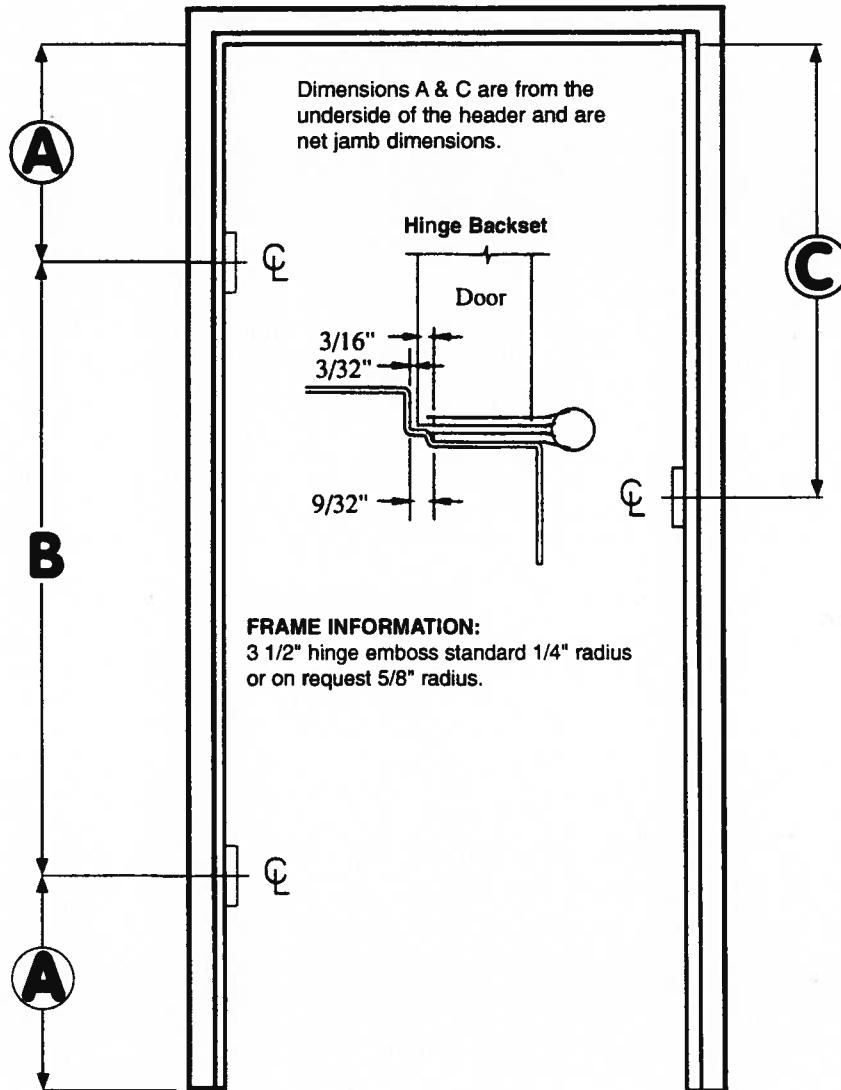


NOTE: When using this chart for premachining door measurements, reduce the A & C dimensions 3/32" each for door clearance.

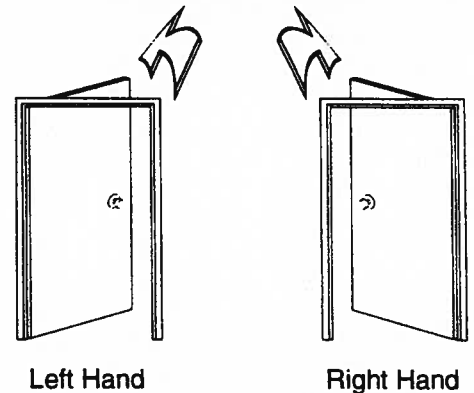
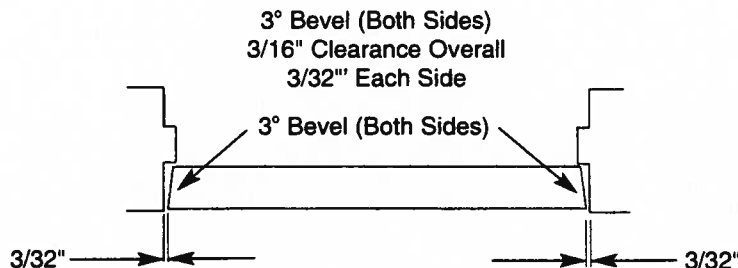


Net Frame Dimensions

+ HEIGHT	A	B	C
3-0	10-3/32	16	18-3/32*
3-2	10-3/32	18	19-3/32*
3-6	10-3/32	22	21-3/32*
4-0	10-3/32	28	24-3/32*
4-2	10-3/32	30	25-3/32*
4-4	10-3/32	32	26-3/32*
4-6	10-3/32	34	27-3/32*
4-8	10-3/32	36	28-3/32*
4-10	10-3/32	38	29-3/32*
5-0	10-3/32	40	20-3/32
5-2	10-3/32	42	22-3/32
5-6	10-3/32	46	26-3/32
6-0	10-3/32	52	32-3/32
6-2	10-3/32	54	34-3/32
6-4	10-3/32	56	36-3/32
6-8	10-3/32	60	40-3/32 *
6-9	10-3/32	61	41-3/32
6-9	10-3/32	61	40-19/32 *
7-0	10-3/32	64	44-3/32
7-0	10-3/32	64	42-3/32 *
7-2	10-3/32	66	46-3/32
7-4	10-3/32	68	48-3/32

*Reversible - Frame can be used as Left or Right Hand, swing in or out

+ Frame Heights are 3/16" longer than call out door height unless ordered net. (3/32" top, 3/32" bottom for clearance).



Handing Information
 To establish handing always **Push** the door away from you.

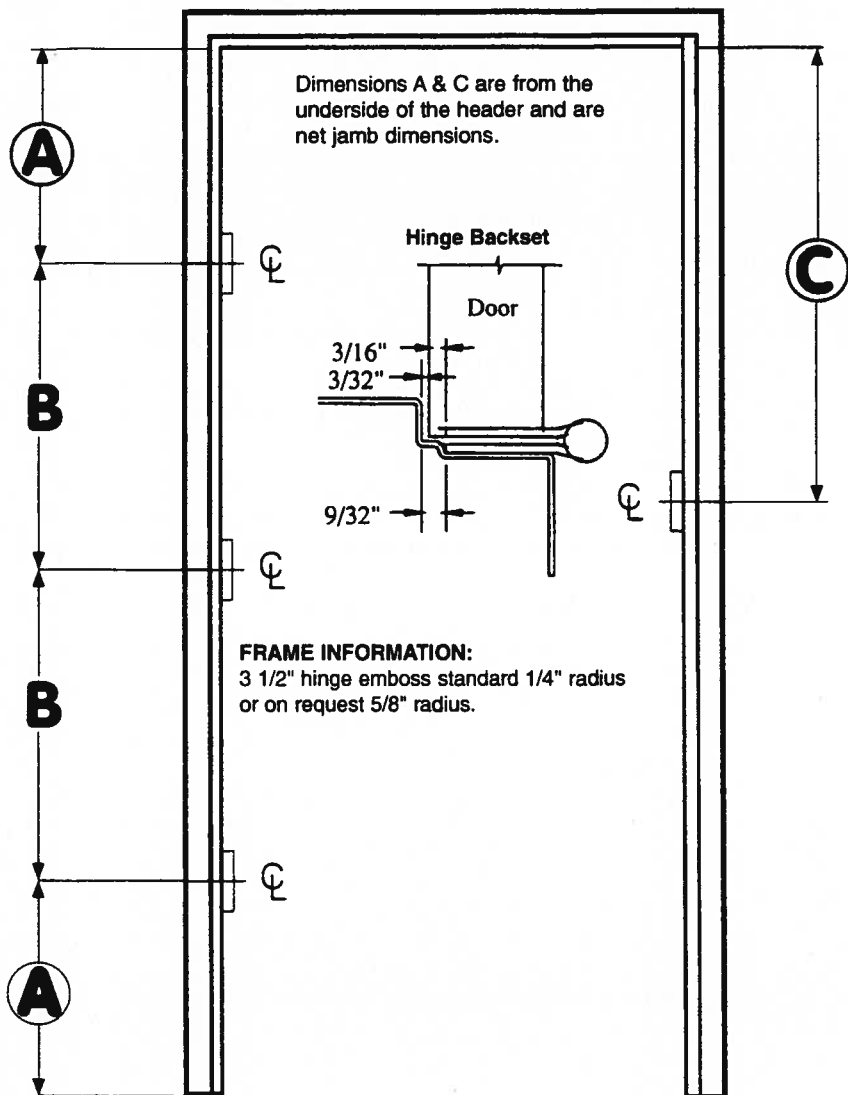
FOR SPECIFICATIONS NOT SHOWN, PLEASE CONSULT OFFICE.
 PLEASE SPECIFY IF USING COMMERCIAL OR RESIDENTIAL WEIGHT HINGES.

Prefit Specifications
 Frame Hinge and Strike Locations
 1 3/8" with 3 Each 3 1/2" Hinges

10241 NORRIS AVE. ♦ PACOIMA, CALIFORNIA 91331-2292 ♦ (818) 492-3500

Effective March 2007

NOTE: When using this chart for premachining door measurements, reduce the A & C dimensions 3/32" each for door clearance.

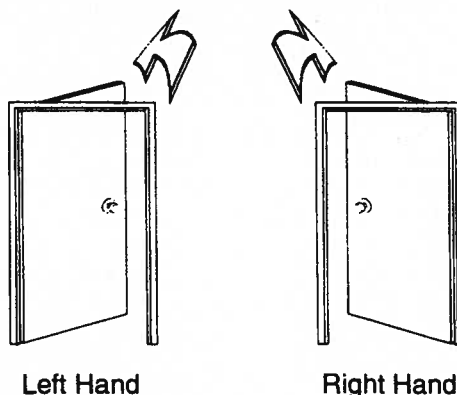
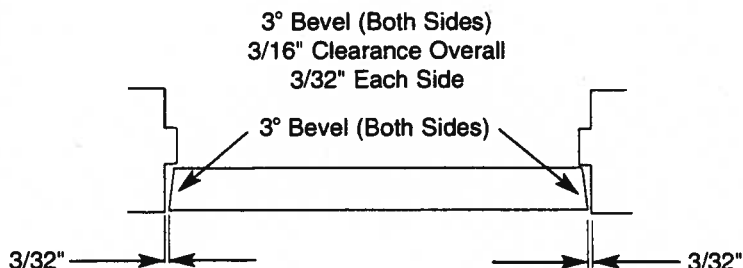


Net Frame Dimensions

+ HEIGHT	A	B	C
5-0	10-3/32	20	20-3/32
5-1	10-3/32	20-1/2	21-3/32
5-2	10-3/32	21	22-3/32
5-4	10-3/32	22	24-3/32
6-0	10-3/32	26	32-3/32
6-8	10-3/32	30	40-3/32*
6-9	10-3/32	30-1/2	41-3/32
	10-3/32	30-1/2	40-19/32*
7-0	10-3/32	32	44-3/32
	10-3/32	32	42-3/32*
7-4	10-3/32	34	48-3/32
7-6	10-3/32	35	50-3/32
7-8	10-3/32	36	52-3/32
7-10	10-3/32	37	54-3/32
8-0	10-3/32	38	56-3/32
8-4	10-3/32	40	60-3/32
8-6	10-3/32	41	62-3/32
8-8	10-3/32	42	64-3/32
8-10	10-3/32	43	66-3/32
9-0	10-3/32	44	68-3/32
10-0	10-3/32	50	80-3/32

*Reversible - Frame can be used as Left or Right Hand, swing in or out

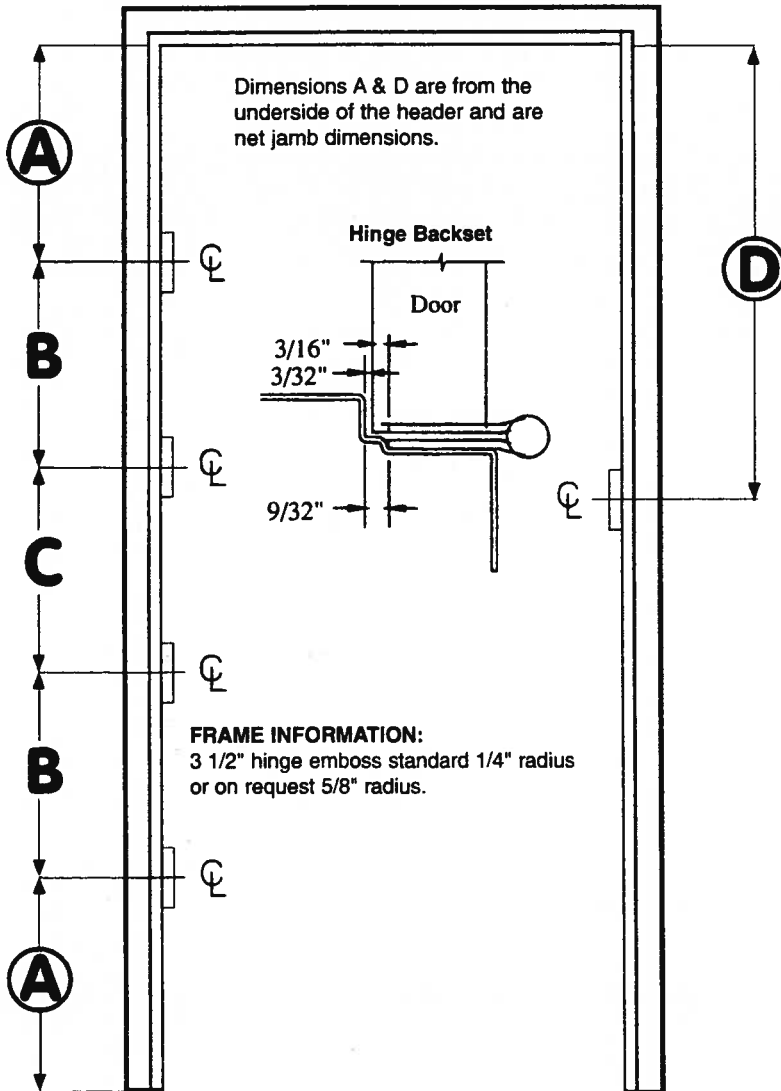
+ Frame Heights are 3/16" longer than call out door height unless ordered net. (3/32" top, 3/32" bottom for clearance).



Handing Information
 To establish handing always **Push** the door away from you.

FOR SPECIFICATIONS NOT SHOWN, PLEASE CONSULT OFFICE.
 PLEASE SPECIFY IF USING COMMERCIAL OR RESIDENTIAL WEIGHT HINGES.

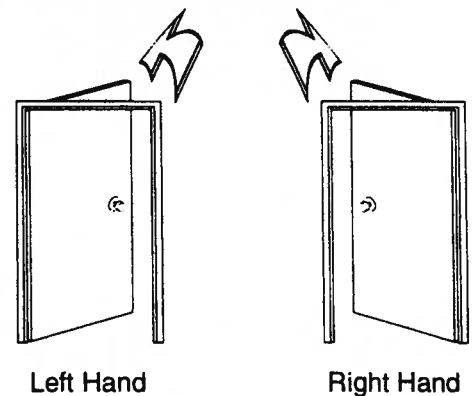
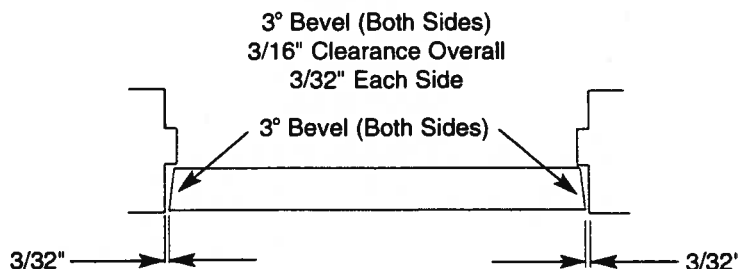
NOTE: When using this chart for premachining door measurements, reduce the A & D dimensions 3/32" each for door clearance.



Net Frame Dimensions				
+ HEIGHT	A	B	C	D
6-0	10-3/32	17-1/4	17-1/2	32-3/32
6-8	10-3/32	20	20	40-3/32*
6-9	10-3/32	20-1/4	20-1/2	41-3/32
	10-3/32	20-1/4	20-1/2	40-19/32*
6-10	10-3/32	20-1/2	21	42-3/32
7-0	10-3/32	21-1/4	21-1/2	44-3/32
	10-3/32	21-1/4	21-1/2	42-3/32*
7-2	10-3/32	22	22	46-3/32
7-4	10-3/32	22-1/2	23	48-3/32
7-6	10-3/32	23-1/4	23-1/2	50-3/32
7-8	10-3/32	24	24	52-3/32
7-10	10-3/32	24-1/2	25	54-3/32
8-0	10-3/32	25-1/4	25-1/2	56-3/32
8-2	10-3/32	26	26	58-3/32
8-4	10-3/32	26-1/2	27	60-3/32
8-6	10-3/32	27-1/4	27-1/2	62-3/32
8-8	10-3/32	28	28	64-3/32
8-10	10-3/32	28-1/2	29	66-3/32
9-0	10-3/32	29-1/4	29-1/2	68-3/32
9-4	10-3/32	30-1/2	31	72-3/32
9-8	10-3/32	32	32	76-3/32
10-0	10-3/32	33-1/4	33-1/2	80-3/32

*Reversible - Frame can be used as Left or Right Hand, swing in or out

+ Frame Heights are 3/16" longer than call out door height unless ordered net. (3/32" top, 3/32" bottom for clearance).



Handing Information
 To establish handing always **Push** the door away from you.

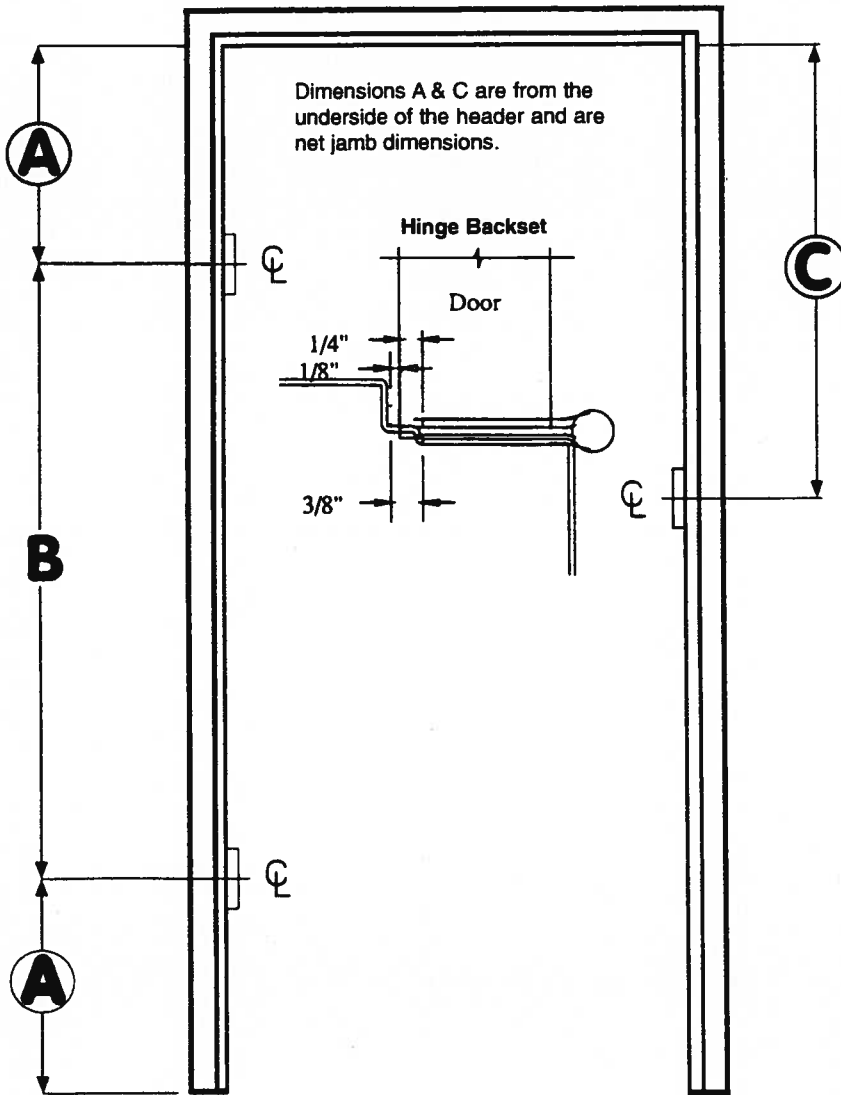
FOR SPECIFICATIONS NOT SHOWN, PLEASE CONSULT OFFICE.
 PLEASE SPECIFY IF USING COMMERCIAL OR RESIDENTIAL WEIGHT HINGES.

Prefit Specifications
 Frame Hinge and Strike Locations
 1 3/4" with 2 Each 4" Hinges

10241 NORRIS AVE. ♦ PACOIMA, CALIFORNIA 91331-2292 ♦ (818) 492-3500

Effective March 2007

NOTE: When using this chart for premachining door measurements, reduce the A & C dimensions 3/32" each for door clearance.



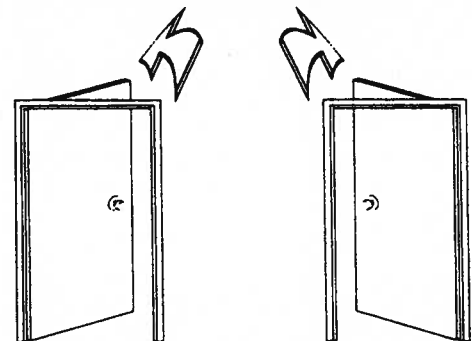
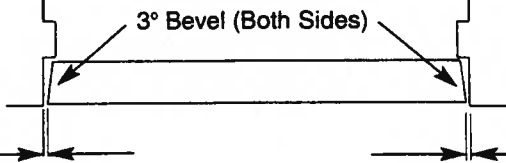
Net Frame Dimensions

+ HEIGHT	A	B	C
3-0	10-11/32	15-1/2	18-3/32*
3-2	10-11/32	17-1/2	19-3/32*
3-6	10-11/32	21-1/2	21-3/32*
4-0	10-11/32	27-1/2	24-3/32*
4-2	10-11/32	29-1/2	25-3/32*
4-4	10-11/32	31-1/2	26-3/32*
4-6	10-11/32	33-1/2	27-3/32*
4-8	10-11/32	35-1/2	28-3/32*
4-10	10-11/32	37-1/2	29-3/32*
5-0	10-11/32	39-1/2	20-3/32
5-2	10-11/32	41-1/2	22-3/32
5-6	10-11/32	45-1/2	26-3/32
6-0	10-11/32	51-1/2	32-3/32
6-2	10-11/32	53-1/2	34-3/32
6-4	10-11/32	55-1/2	36-3/32
6-8	10-11/32	59-1/2	40-3/32 *
6-9	10-11/32	60-1/2	41-3/32
	10-11/32	60-1/2	40-19/32 *
7-0	10-11/32	63-1/2	44-3/32
	10-11/32	63-1/2	42-3/32 *
7-2	10-11/32	65-1/2	46-3/32
7-4	10-11/32	67-1/2	48-3/32

*Reversible - Frame can be used as Left or Right Hand, swing in or out

+ Frame Heights are 3/16" longer than call out door height unless ordered net. (3/32" top, 3/32" bottom for clearance).

3° Bevel (Both Sides)
 3/16" Clearance Overall
 3/32" Each Side



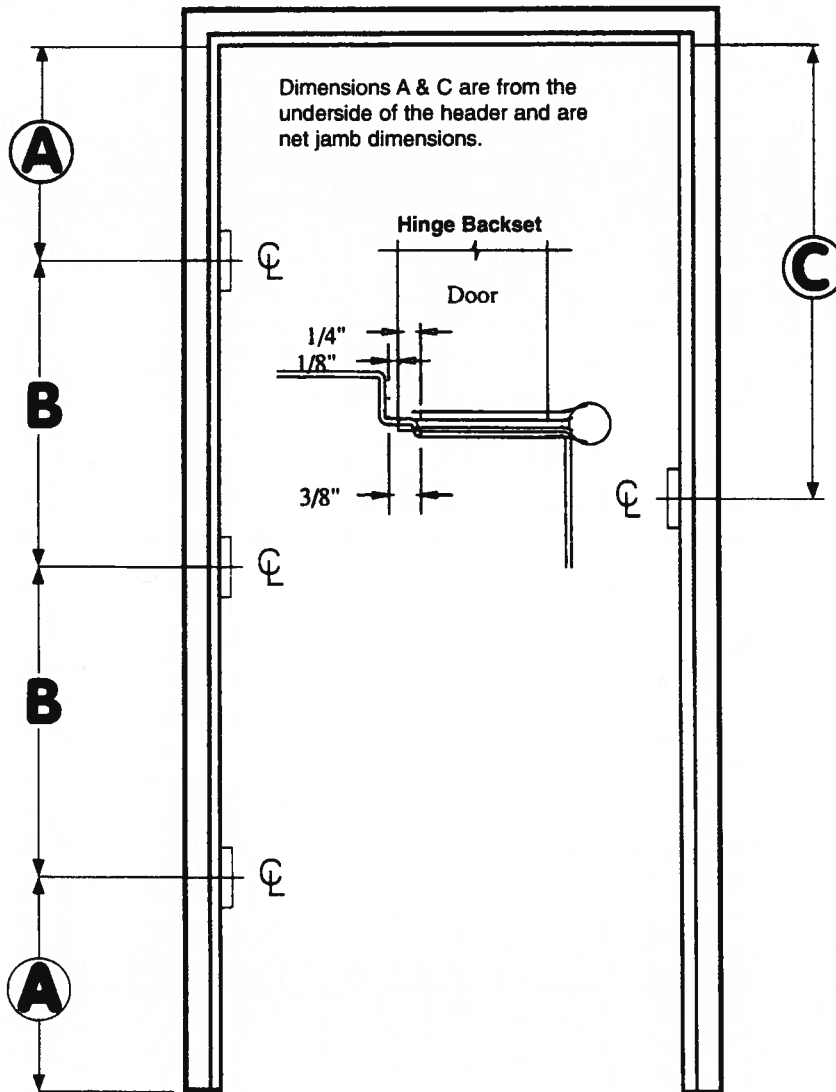
Left Hand

Right Hand

Handing Information
 To establish handing always **Push** the door away from you.

FOR SPECIFICATIONS NOT SHOWN, PLEASE CONSULT OFFICE.

NOTE: When using this chart for premachining door measurements, reduce the A & C dimensions 3/32" each for door clearance.

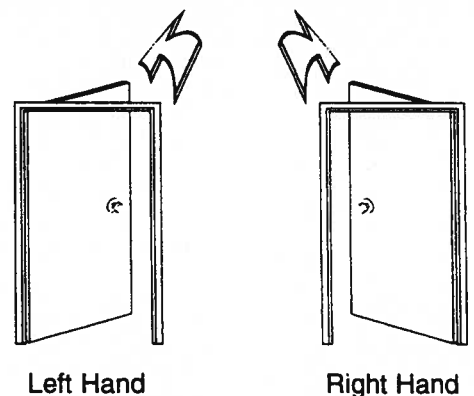
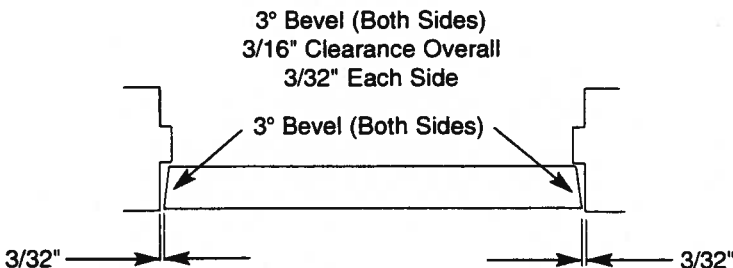


Net Frame Dimensions

+ HEIGHT	A	B	C
5-0	10-11/32	19-3/4	20-3/32
5-1	10-11/32	20-1/4	21-3/32
5-2	10-11/32	20-3/4	22-3/32
5-4	10-11/32	21-3/4	24-3/32
6-0	10-11/32	25-3/4	32-3/32
6-8	10-11/32	29-3/4	40-3/32*
6-9	10-11/32	30-1/4	41-3/32
	10-11/32	30-1/4	40-19/32*
7-0	10-11/32	31-3/4	44-3/32
	10-11/32	31-3/4	42-3/32*
7-4	10-11/32	33-3/4	48-3/32
7-6	10-11/32	34-3/4	50-3/32
7-8	10-11/32	35-3/4	52-3/32
7-10	10-11/32	36-3/4	54-3/32
8-0	10-11/32	37-3/4	56-3/32
8-4	10-11/32	39-3/4	60-3/32
8-6	10-11/32	40-3/4	62-3/32
8-8	10-11/32	41-3/4	64-3/32
8-10	10-11/32	42-3/4	66-3/32
9-0	10-11/32	43-3/4	68-3/32
10-0	10-11/32	49-3/4	80-3/32

*Reversible - Frame can be used as Left or Right Hand, swing in or out

+ Frame Heights are 3/16" longer than call out door height unless ordered net. (3/32" top, 3/32" bottom for clearance).



Handing Information
 To establish handing always **Push** the door away from you.

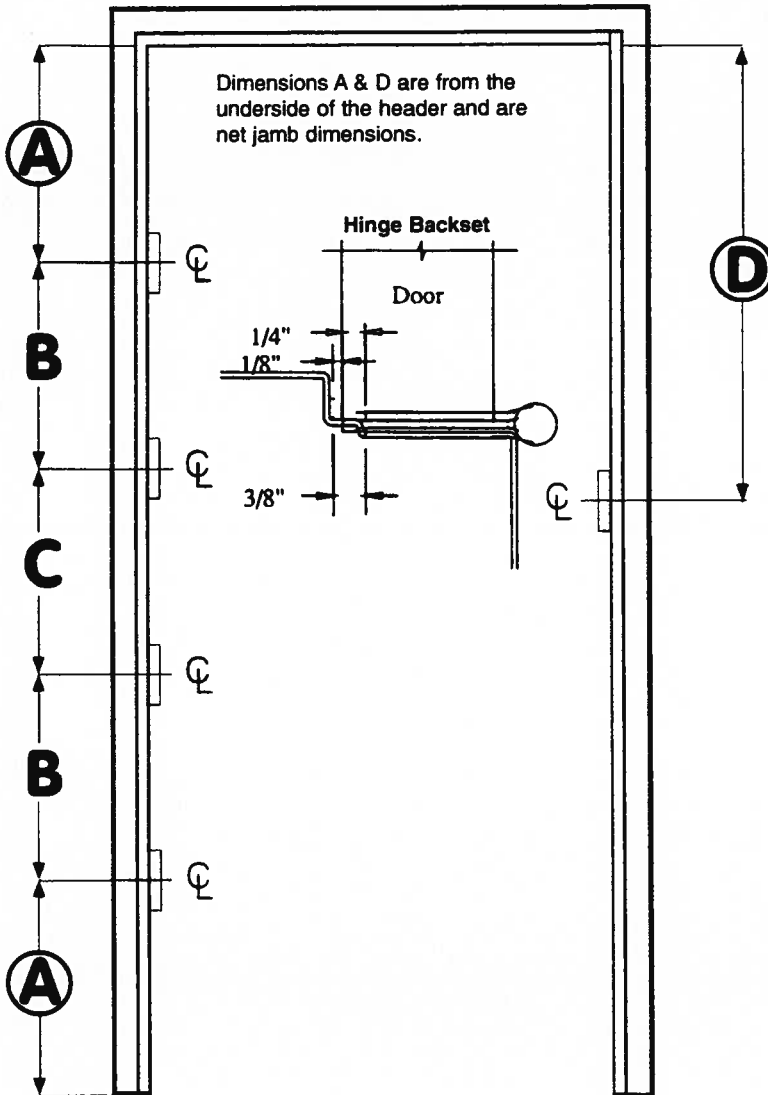
FOR SPECIFICATIONS NOT SHOWN, PLEASE CONSULT OFFICE.

Prefit Specifications
 Frame Hinge and Strike Locations
 1 3/4" with 4 Each 4" Hinges

10241 NORRIS AVE. ♦ PACOIMA, CALIFORNIA 91331-2292 ♦ (818) 492-3500

Effective March 2007

NOTE: When using this chart for premachining door measurements, reduce the A & D dimensions 3/32" each for door clearance.

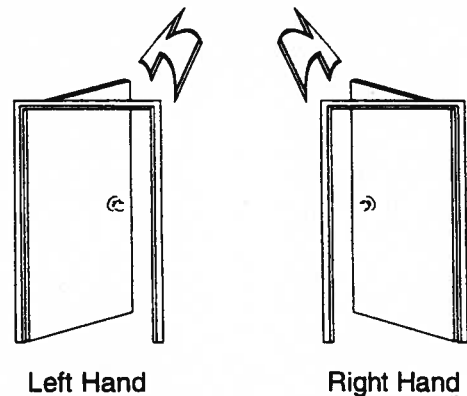
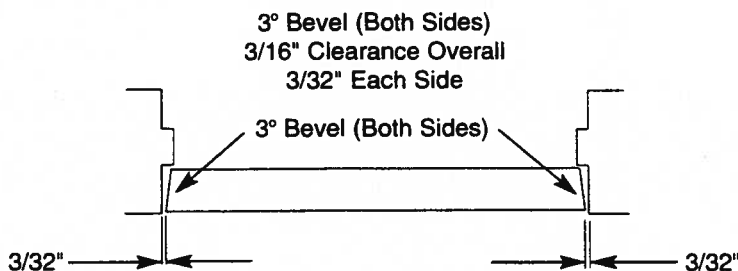


Net Frame Dimensions

+ HEIGHT	A	B	C	D
6-0	10-11/32	17	17-1/2	32-3/32
6-8	10-11/32	19-3/4	20	40-3/32*
6-9	10-11/32	20-1/8	20-1/4	41-3/32
	10-11/32	20-1/8	20-1/4	40-19/32*
6-10	10-11/32	20-1/2	20-1/2	42-3/32
7-0	10-11/32	21	21-1/2	44-3/32
	10-11/32	21	21-1/2	42-3/32*
7-2	10-11/32	21-3/4	22	46-3/32
7-4	10-11/32	22-1/2	22-1/2	48-3/32
7-6	10-11/32	23	23-1/2	50-3/32
7-8	10-11/32	23-3/4	24	52-3/32
7-10	10-11/32	24-1/2	24-1/2	54-3/32
8-0	10-11/32	25	25-1/2	56-3/32
8-2	10-11/32	25-3/4	26	58-3/32
8-4	10-11/32	26-1/2	26-1/2	60-3/32
8-6	10-11/32	27	27-1/2	62-3/32
8-8	10-11/32	27-3/4	28	64-3/32
8-10	10-11/32	28-1/2	28-1/2	66-3/32
9-0	10-11/32	29	29-1/2	68-3/32
9-4	10-11/32	30-1/2	30-1/2	72-3/32
9-8	10-11/32	31-3/4	32	76-3/32
10-0	10-11/32	33	33-1/2	80-3/32

*Reversible - Frame can be used as Left or Right Hand, swing in or out

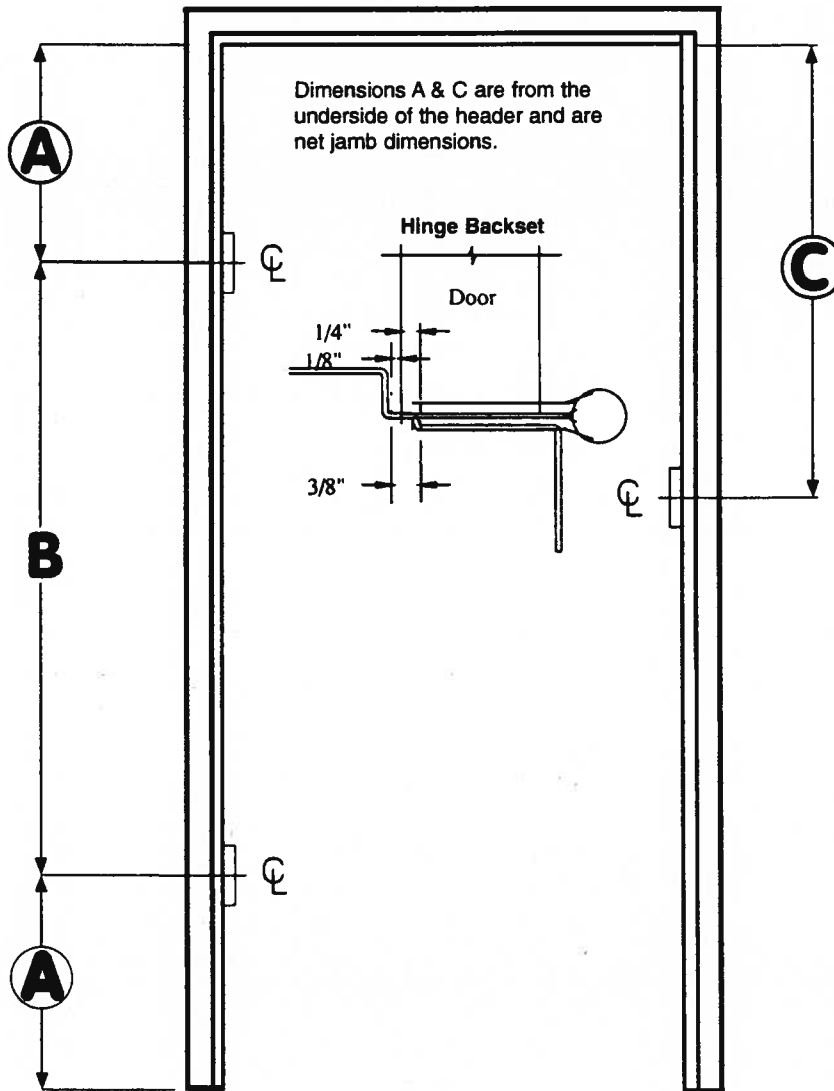
+ Frame Heights are 3/16" longer than call out door height unless ordered net. (3/32" top, 3/32" bottom for clearance).



Handing Information
 To establish handing always **Push** the door away from you.

FOR SPECIFICATIONS NOT SHOWN, PLEASE CONSULT OFFICE.

NOTE: When using this chart for premachining door measurements, reduce the A & C dimensions 3/32" each for door clearance.

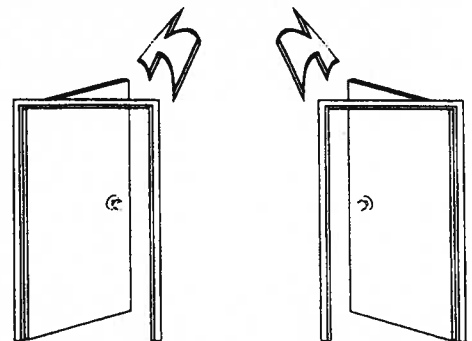
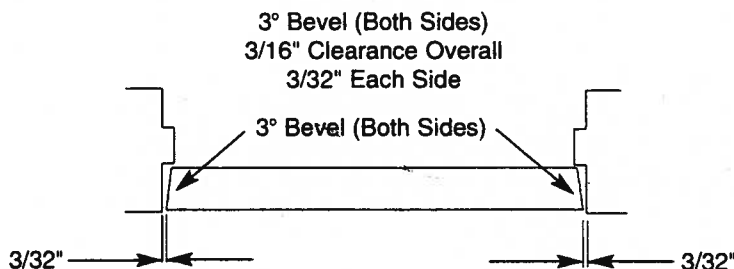


Net Frame Dimensions

+ HEIGHT	A	B	C
3-0	10-19/32	15	18-3/32*
3-2	10-19/32	17	19-3/32*
3-6	10-19/32	21	21-3/32*
4-0	10-19/32	27	24-3/32*
4-2	10-19/32	29	25-3/32*
4-4	10-19/32	31	26-3/32*
4-6	10-19/32	33	27-3/32*
4-8	10-19/32	35	28-3/32*
4-10	10-19/32	37	29-3/32*
5-0	10-19/32	39	20-3/32
5-2	10-19/32	41	22-3/32
5-6	10-19/32	45	26-3/32
6-0	10-19/32	51	32-3/32
6-2	10-19/32	53	34-3/32
6-4	10-19/32	55	36-3/32
6-8	10-19/32	59	40-3/32 *
6-9	10-19/32	60	41-3/32
	10-19/32	60	40-19/32 *
7-0	10-19/32	63	44-3/32
	10-19/32	63	42-3/32 *
7-2	10-19/32	65	46-3/32
7-4	10-19/32	67	48-3/32

*Reversible - Frame can be used as Left or Right Hand, swing in or out

+ Frame Heights are 3/16" longer than call out door height unless ordered net. (3/32" top, 3/32" bottom for clearance).



Left Hand

Right Hand

Handing Information
 To establish handing always **Push** the door away from you.

FOR SPECIFICATIONS NOT SHOWN, PLEASE CONSULT OFFICE.

Prefit Specifications

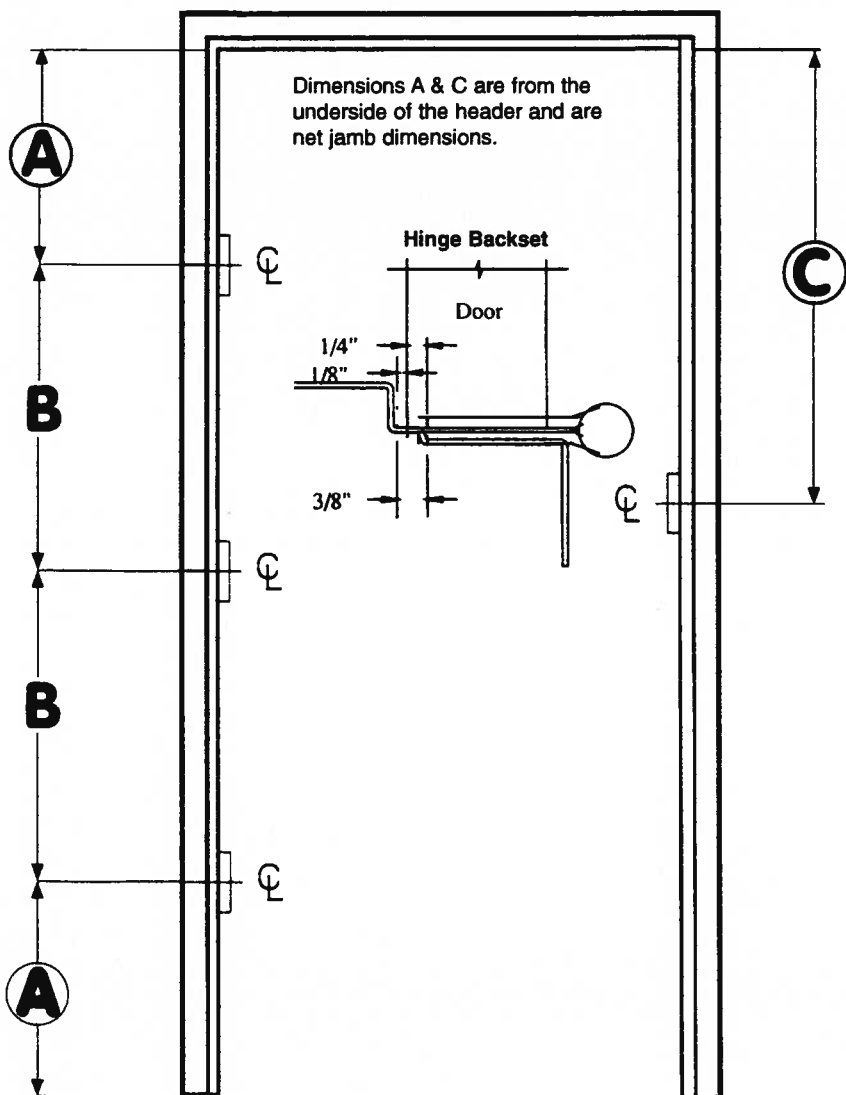
Frame Hinge and Strike Locations

1 3/4" with 3 Each 4 1/2" Hinges

10241 NORRIS AVE. ♦ PACOIMA, CALIFORNIA 91331-2292 ♦ (818) 492-3500

Effective March 2007

NOTE: When using this chart for premachining door measurements, reduce the A & C dimensions 3/32" each for door clearance.



Net Frame Dimensions

+ HEIGHT	A	B	C
5-0	10-19/32	19-1/2	20-3/32
5-1	10-19/32	20	21-3/32
5-2	10-19/32	20-1/2	22-3/32
5-4	10-19/32	21-1/2	24-3/32
6-0	10-19/32	25-1/2	32-3/32
6-8	10-19/32	29-1/2	40-3/32*
6-9	10-19/32	30	41-3/32
	10-19/32	30	40-19/32*
7-0	10-19/32	31-1/2	44-3/32
	10-19/32	31-1/2	42-3/32*
7-4	10-19/32	33-1/2	48-3/32
7-6	10-19/32	34-1/2	50-3/32
7-8	10-19/32	35-1/2	52-3/32
7-10	10-19/32	36-1/2	54-3/32
8-0	10-19/32	37-1/2	56-3/32
8-4	10-19/32	39-1/2	60-3/32
8-6	10-19/32	40-1/2	62-3/32
8-8	10-19/32	41-1/2	64-3/32
8-10	10-19/32	42-1/2	66-3/32
9-0	10-19/32	43-1/2	68-3/32
10-0	10-19/32	49-1/2	80-3/32

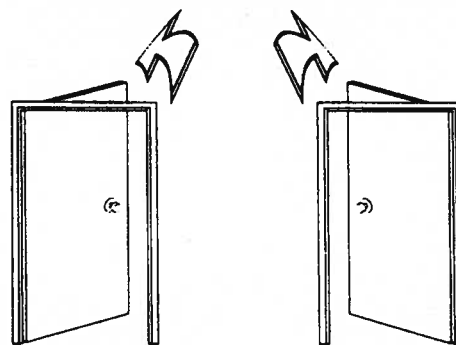
*Reversible - Frame can be used as Left or Right Hand, swing in or out

+ Frame Heights are 3/16" longer than call out door height unless ordered net. (3/32" top, 3/32" bottom for clearance).

3° Bevel (Both Sides)
 3/16" Clearance Overall
 3/32" Each Side

3° Bevel (Both Sides)

3/32" 3/32"



Left Hand

Right Hand

Handing Information
 To establish handing always **Push** the door away from you.

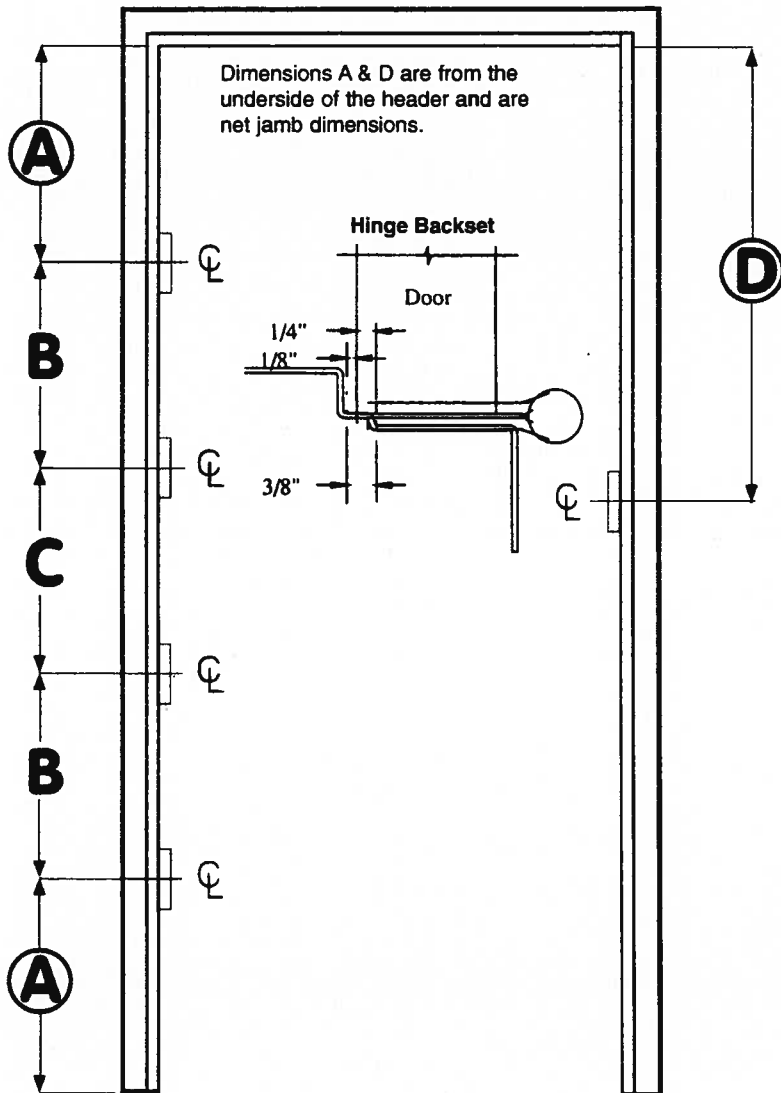
FOR SPECIFICATIONS NOT SHOWN, PLEASE CONSULT OFFICE.

Prefit Specifications
 Frame Hinge and Strike Locations
 1 3/4" with 4 Each 4 1/2" Hinges

10241 NORRIS AVE. ♦ PACOIMA, CALIFORNIA 91331-2292 ♦ (818) 492-3500

Effective March 2007

NOTE: When using this chart for premachining door measurements, reduce the A & D dimensions 3/32" each for door clearance.

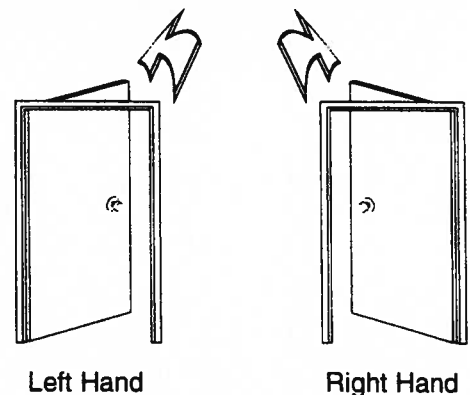
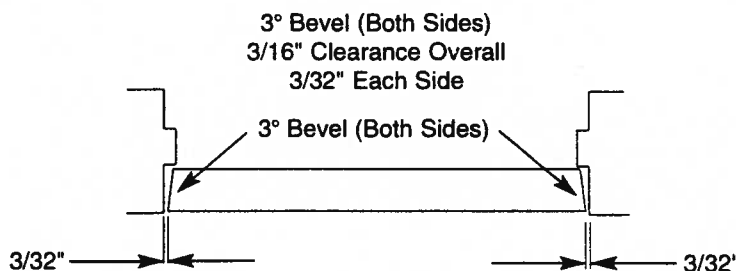


Net Frame Dimensions

+ HEIGHT	A	B	C	D
6-0	10-19/32	17	17	32-3/32
6-8	10-19/32	19-1/2	20	40-3/32*
6-9	10-19/32	20	20	41-3/32
	10-19/32	20	20	40-19/32*
6-10	10-19/32	20-1/4	20-1/2	42-3/32
7-0	10-19/32	21	21	44-3/32
	10-19/32	21	21	42-3/32*
7-2	10-19/32	21-1/2	22	46-3/32
7-4	10-19/32	22-1/4	22-1/2	48-3/32
7-6	10-19/32	23	23	50-3/32
7-8	10-19/32	23-1/2	24	52-3/32
7-10	10-19/32	24-1/4	24-1/2	54-3/32
8-0	10-19/32	25	25	56-3/32
8-2	10-19/32	25-1/2	26	58-3/32
8-4	10-19/32	26-1/4	26-1/2	60-3/32
8-6	10-19/32	27	27	62-3/32
8-8	10-19/32	27-1/2	28	64-3/32
8-10	10-19/32	28-1/4	28-1/2	66-3/32
9-0	10-19/32	29	29	68-3/32
9-4	10-19/32	30-1/4	30-1/2	72-3/32
9-8	10-19/32	31-1/2	32	76-3/32
10-0	10-19/32	33	33	80-3/32

*Reversible - Frame can be used as Left or Right Hand, swing in or out

+ Frame Heights are 3/16" longer than call out door height unless ordered net. (3/32" top, 3/32" bottom for clearance).



Handing Information
 To establish handing always **Push** the door away from you.

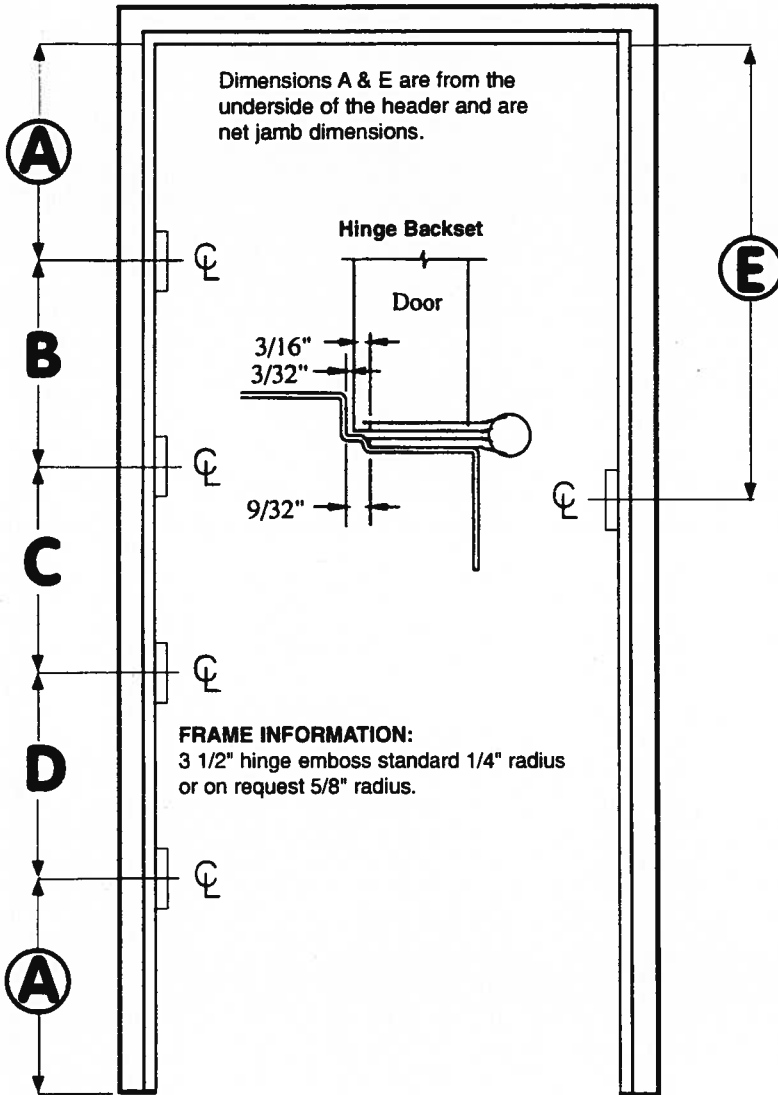
FOR SPECIFICATIONS NOT SHOWN, PLEASE CONSULT OFFICE.

Prefit Specifications
 Dutch Frame Hinge and Strike Locations
 1 3/8" Dutch with 4 Each 3 1/2" Hinges

10241 NORRIS AVE. ♦ PACOIMA, CALIFORNIA 91331-2292 ♦ (818) 492-3500

Effective March 2007

NOTE: When using this chart for premachining door measurements, reduce the A & E dimensions 3/32" each for door clearance.

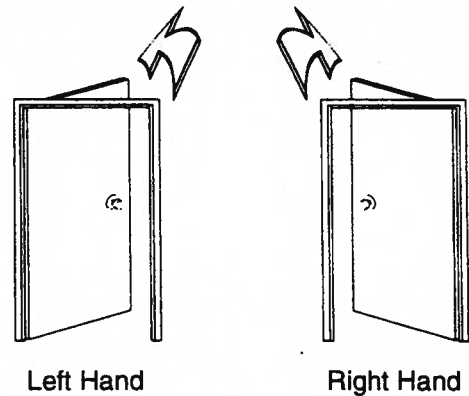
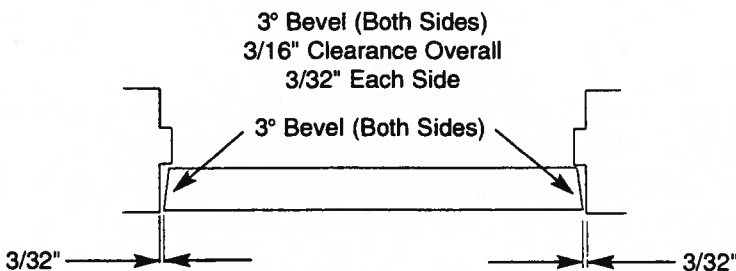


Net Frame Dimensions

+ HEIGHT	A	B	C	D	E
6-0	4-27/32	22	10-1/2	30	36-3/32
6-8	4-27/32	30	10-1/2	30	44-3/32
6-9	4-27/32	31	10-1/2	30	45-3/32
6-10	4-27/32	32	10-1/2	30	46-3/32
7-0	4-27/32	34	10-1/2	30	48-3/32
7-2	4-27/32	36	10-1/2	30	50-3/32
7-4	4-27/32	38	10-1/2	30	52-3/32
7-6	4-27/32	40	10-1/2	30	54-3/32
7-8	4-27/32	42	10-1/2	30	56-3/32
7-10	4-27/32	44	10-1/2	30	58-3/32
8-0	4-27/32	46	10-1/2	30	60-3/32
8-2	4-27/32	48	10-1/2	30	62-3/32
8-4	4-27/32	50	10-1/2	30	64-3/32
8-6	4-27/32	52	10-1/2	30	66-3/32
8-8	4-27/32	54	10-1/2	30	68-3/32
8-10	4-27/32	56	10-1/2	30	70-3/32
9-0	4-27/32	58	10-1/2	30	72-3/32
9-4	4-27/32	62	10-1/2	30	76-3/32
9-8	4-27/32	66	10-1/2	30	80-3/32
10-0	4-27/32	70	10-1/2	30	84-3/32

FRAME INFORMATION:
 3 1/2" hinge emboss standard 1/4" radius
 or on request 5/8" radius.

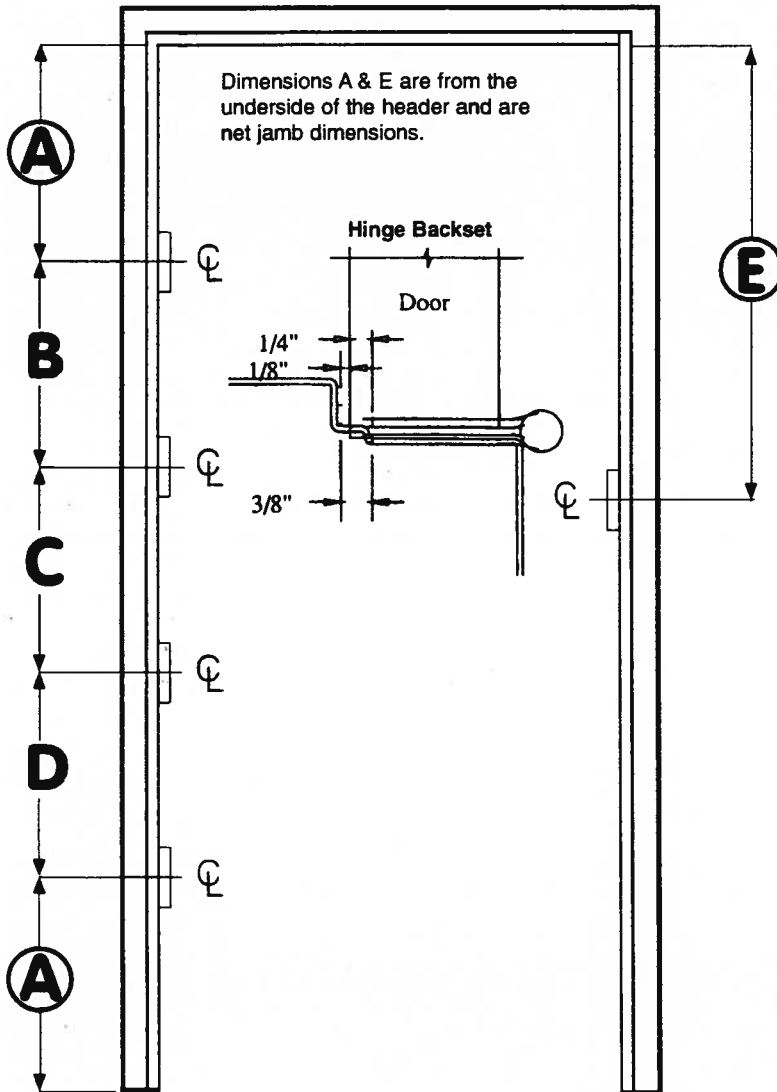
+ Frame Heights are 3/16" longer than call out door height unless ordered net. (3/32" top, 3/32" bottom for clearance).



Handing Information
 To establish handing always **Push** the door away from you.

FOR SPECIFICATIONS NOT SHOWN, PLEASE CONSULT OFFICE.

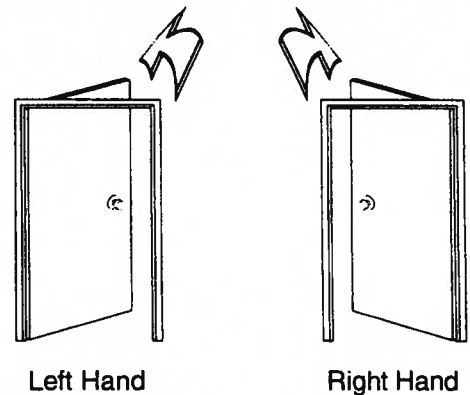
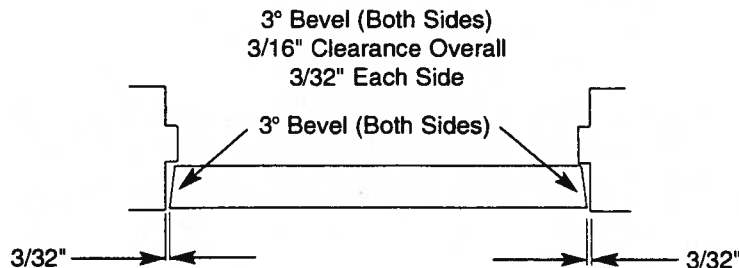
NOTE: When using this chart for premachining door measurements, reduce the A & E dimensions 3/32" each for door clearance.



Net Frame Dimensions

+ HEIGHT	A	B	C	D	E
6-0	5-3/32	21-1/2	11	29-1/2	36-3/32
6-8	5-3/32	29-1/2	11	29-1/2	44-3/32
6-9	5-3/32	30-1/2	11	29-1/2	45-3/32
6-10	5-3/32	31-1/2	11	29-1/2	46-3/32
7-0	5-3/32	33-1/2	11	29-1/2	48-3/32
7-2	5-3/32	35-1/2	11	29-1/2	50-3/32
7-4	5-3/32	37-1/2	11	29-1/2	52-3/32
7-6	5-3/32	39-1/2	11	29-1/2	54-3/32
7-8	5-3/32	41-1/2	11	29-1/2	56-3/32
7-10	5-3/32	43-1/2	11	29-1/2	58-3/32
8-0	5-3/32	45-1/2	11	29-1/2	60-3/32
8-2	5-3/32	47-1/2	11	29-1/2	62-3/32
8-4	5-3/32	49-1/2	11	29-1/2	64-3/32
8-6	5-3/32	51-1/2	11	29-1/2	66-3/32
8-8	5-3/32	53-1/2	11	29-1/2	68-3/32
8-10	5-3/32	55-1/2	11	29-1/2	70-3/32
9-0	5-3/32	57-1/2	11	29-1/2	72-3/32
9-4	5-3/32	61-1/2	11	29-1/2	76-3/32
9-8	5-3/32	65-1/2	11	29-1/2	80-3/32
10-0	5-3/32	69-1/2	11	29-1/2	84-3/32

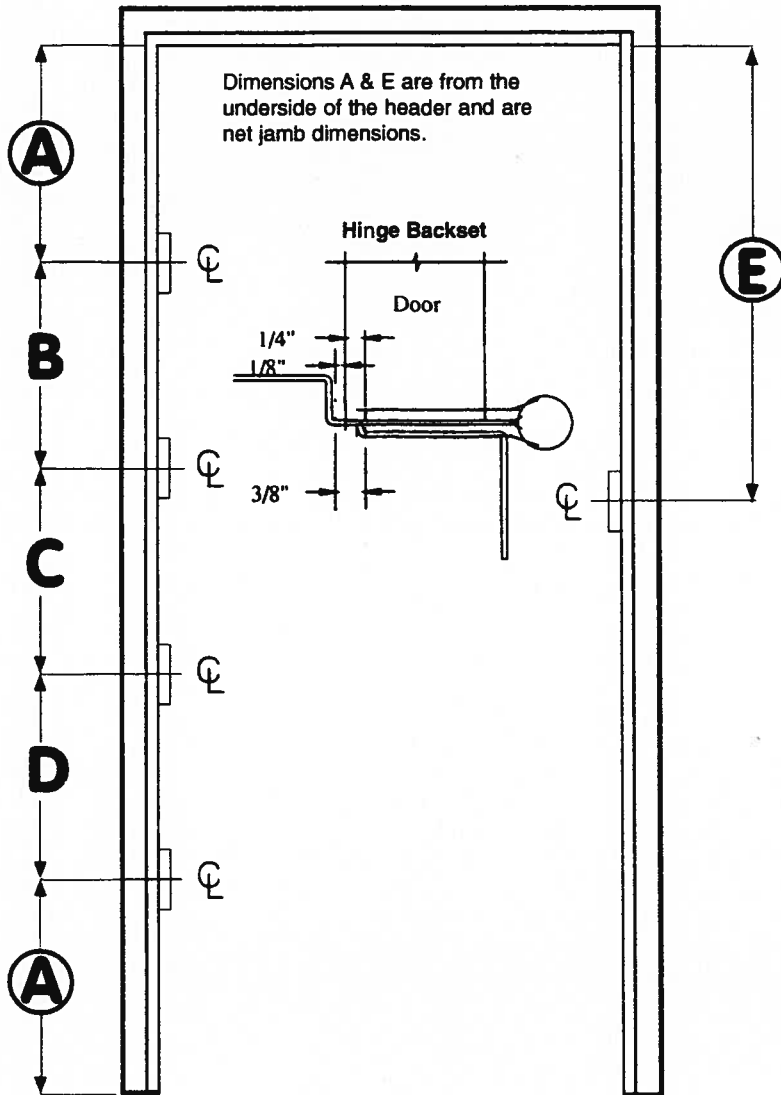
+ Frame Heights are 3/16" longer than call out door height unless ordered net. (3/32" top, 3/32" bottom for clearance).



Handing Information
 To establish handing always **Push** the door away from you.

FOR SPECIFICATIONS NOT SHOWN, PLEASE CONSULT OFFICE.

NOTE: When using this chart for premachining door measurements, reduce the A & E dimensions 3/32" each for door clearance.



Net Frame Dimensions

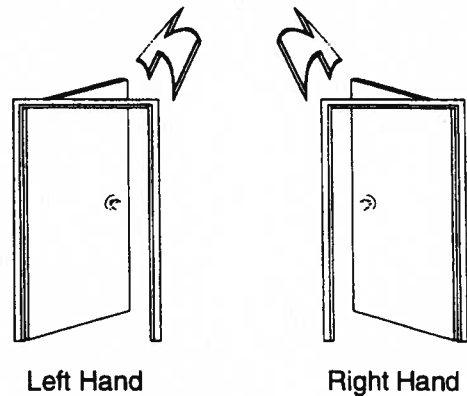
+ HEIGHT	A	B	C	D	E
6-0	5-11/32	21	11-1/2	29	36-3/32
6-8	5-11/32	29	11-1/2	29	44-3/32
6-9	5-11/32	30	11-1/2	29	45-3/32
6-10	5-11/32	31	11-1/2	29	46-3/32
7-0	5-11/32	33	11-1/2	29	48-3/32
7-2	5-11/32	35	11-1/2	29	50-3/32
7-4	5-11/32	37	11-1/2	29	52-3/32
7-6	5-11/32	39	11-1/2	29	54-3/32
7-8	5-11/32	41	11-1/2	29	56-3/32
7-10	5-11/32	43	11-1/2	29	58-3/32
8-0	5-11/32	45	11-1/2	29	60-3/32
8-2	5-11/32	47	11-1/2	29	62-3/32
8-4	5-11/32	49	11-1/2	29	64-3/32
8-6	5-11/32	51	11-1/2	29	66-3/32
8-8	5-11/32	53	11-1/2	29	68-3/32
8-10	5-11/32	55	11-1/2	29	70-3/32
9-0	5-11/32	57	11-1/2	29	72-3/32
9-4	5-11/32	61	11-1/2	29	76-3/32
9-8	5-11/32	65	11-1/2	29	80-3/32
10-0	5-11/32	69	11-1/2	29	84-3/32

+ Frame Heights are 3/16" longer than call out door height unless ordered net. (3/32" top, 3/32" bottom for clearance).

3° Bevel (Both Sides)
 3/16" Clearance Overall
 3/32" Each Side

3° Bevel (Both Sides)

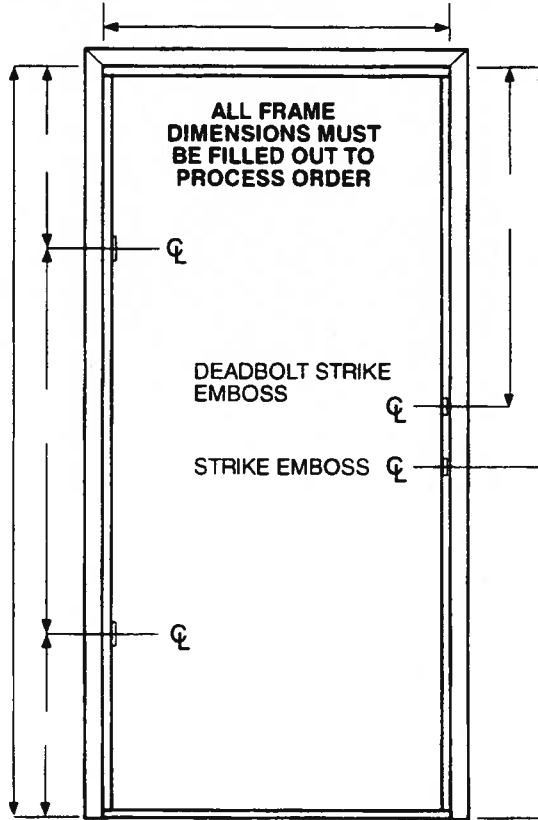
3/32" 3/32"



Handing Information
 To establish handing always **Push** the door away from you.

FOR SPECIFICATIONS NOT SHOWN, PLEASE CONSULT OFFICE.

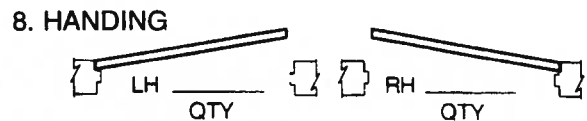
FOR USE WITH _____ DOOR FRAME



Add All Dimensions
 Above and Enter the
 Total Net Frame Height _____

FRAME ORDERING INFORMATION

- 1. FRAME WIDTH NET _____
- 2. FRAME HEIGHT NET _____
- 3. WALL THICKNESS _____
- 4. HINGE PREP _____
- 5. STRIKE OPTIONS
 - a. 2-3/4" T Strike _____
 - b. Deadbolt Strike _____ (Cnt to Cnt)
 - c. 4-7/8" ASA Strike _____
- 6. FIRE RATING _____ (specify rating)
- 7. FINISH
 - a. Western White _____
 - b. Browntone _____
 - c. (Specify) _____



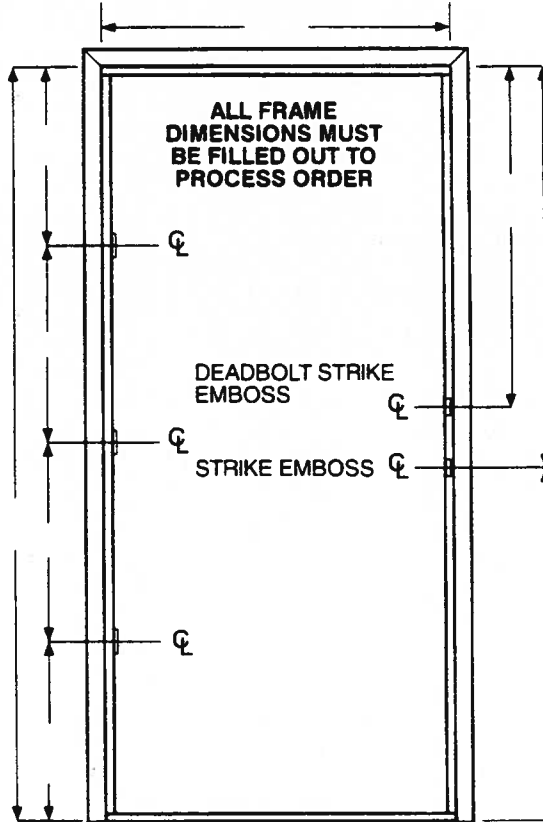
9. PACKAGE TO INCLUDE:
 DEADBOLT STRIKE Yes No
 FINISH _____

- TA-50 GASKET Yes No
 FINISH _____

- THRESHOLD PREP (*Adjustable Frames Only*)
 Notching required Yes No
 (*consult factory for type*)
 Spec written by _____
 and approved _____

FOR USE WITH _____ DOOR

FRAME



Add All Dimensions
 Above and Enter the
 Total Net Frame Height _____

FRAME ORDERING INFORMATION

1. FRAME WIDTH NET _____

2. FRAME HEIGHT NET _____

3. WALL THICKNESS _____

4. HINGE PREP _____

5. STRIKE OPTIONS

a. 2-3/4" T Strike _____

b. Deadbolt Strike _____ (Cmt to Cmt)

c. 4-7/8" ASA Strike _____

6. FIRE RATING _____
 (specify rating)

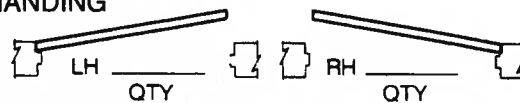
7. FINISH

a. Western White _____

b. Browntone _____

c. (Specify) _____

8. HANDING



9. PACKAGE TO INCLUDE:

DEADBOLT STRIKE FINISH Yes No _____

TA-50 GASKET FINISH Yes No _____

THRESHOLD PREP (Adjustable Frames Only)

Notching required Yes No
 (consult factory for type)

Spec written by _____
 and approved _____