

TWEED

PREFINISHED STEEL DOOR FRAMES
A DIVISION OF S.D.S. INDUSTRIES, INC.

DISTRIBUTOR: _____

JOB: _____

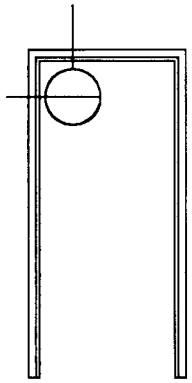
LOCATION: _____

ARCHITECT: _____

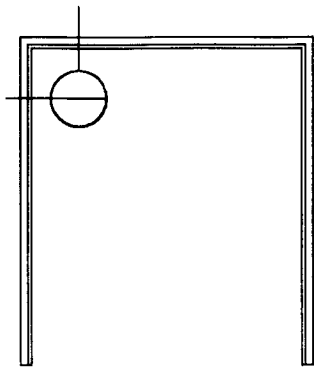
CONTRACTOR: _____

DATE: _____

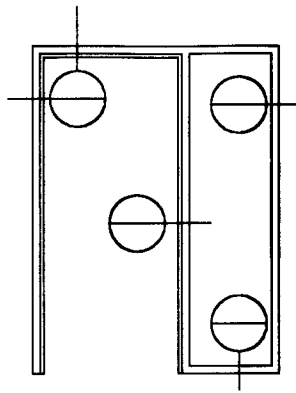
REVISION: _____



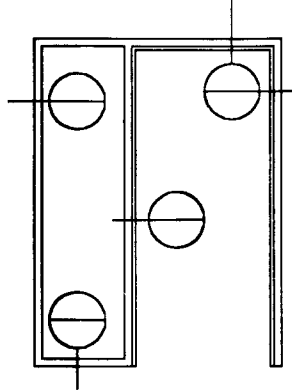
ELEV ____



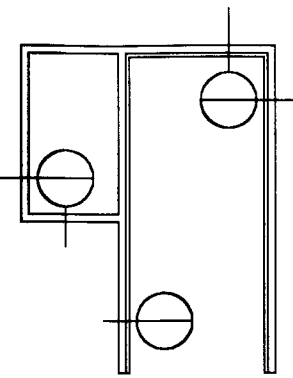
ELEV ____



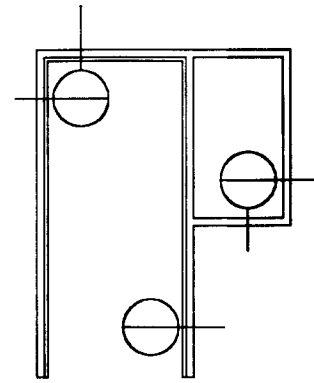
ELEV ____



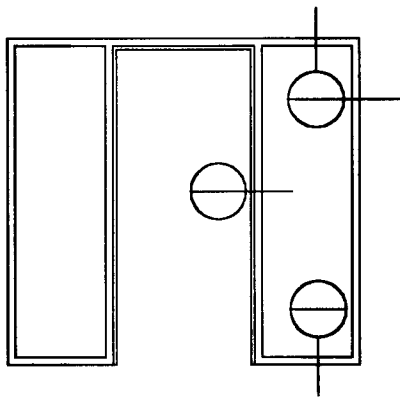
ELEV ____



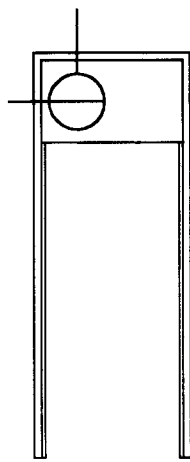
ELEV ____



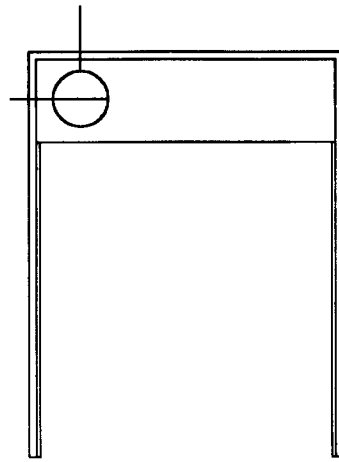
ELEV ____



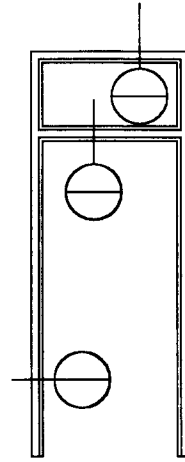
ELEV ____



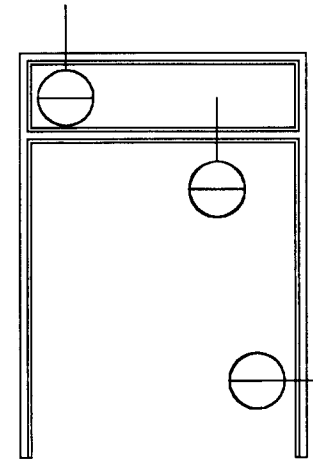
ELEV ____



ELEV ____

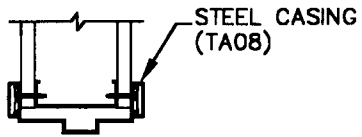


ELEV ____

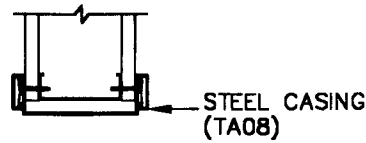


ELEV ____

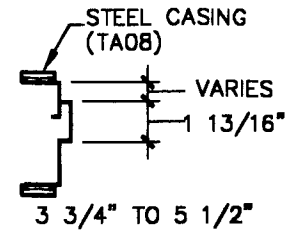
<p>TIMELY PREFINISHED STEEL DOOR FRAMES FRAME SCHEDULE</p>	PRESENTED BY:	PROJECT:
		JOB#
		DATE:
		REV. DATE:



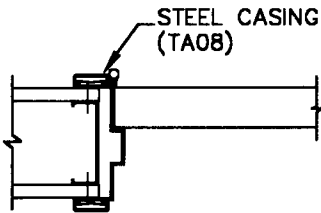
1 HEAD



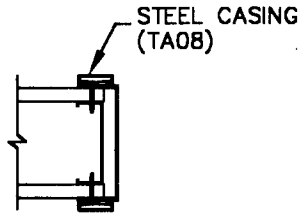
2 CASED OPENING HEAD



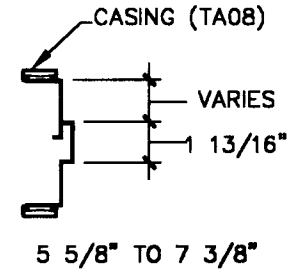
3 ADJUSTABLE FRAME



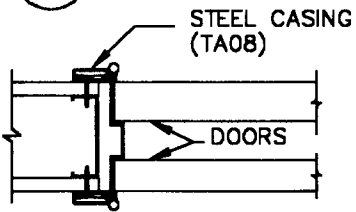
4 JAMB HINGE SIDE



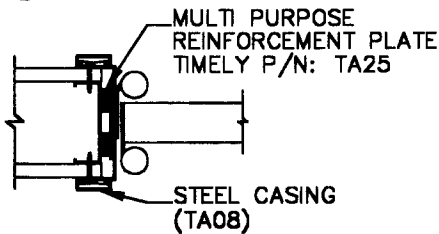
5 CASED OPENING JAMB



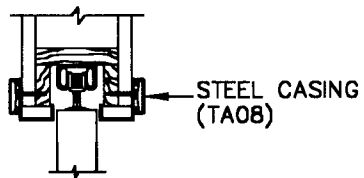
6 ADJUSTABLE FRAME



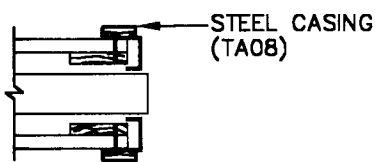
7 COMMUNICATING JAMB



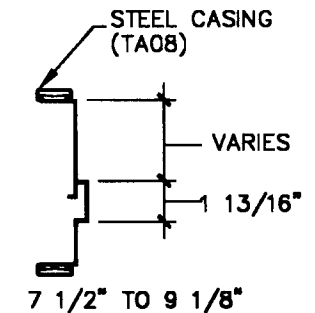
8 DOUBLE ACTING JAMB



9 POCKET DOOR HEAD

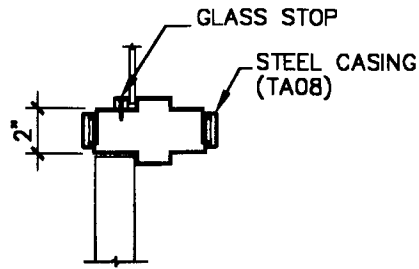


10 POCKET DOOR JAMB

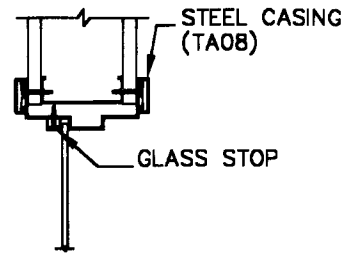


11 ADJUSTABLE FRAME

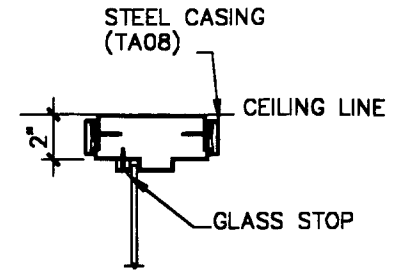
<p>PREFINISHED STEEL DOOR FRAMES FRAME SCHEDULE</p>	PRESENTED BY:	PROJECT:
		JOB#
		DATE:
	REV. DATE:	SHEET # OF



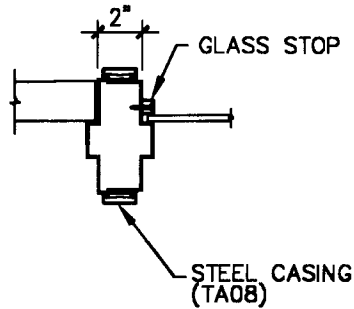
1 TRANSOM HEAD



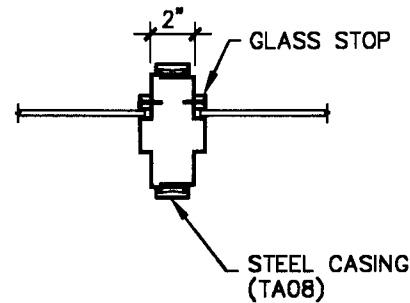
2 LITE HEAD



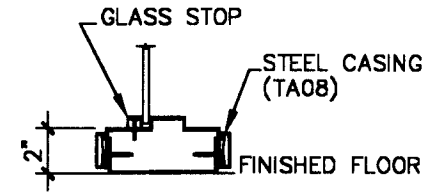
3 LITE HEAD FLUSH



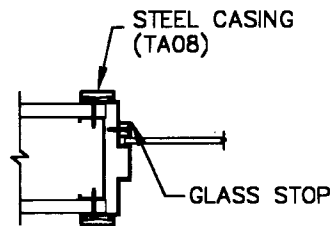
4 MULLION STRIKE SIDE



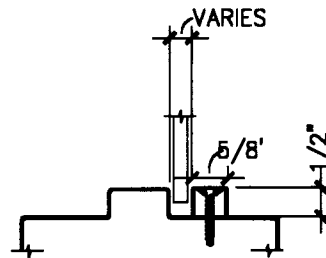
5 MULLION




6 LITE SILL FLUSH

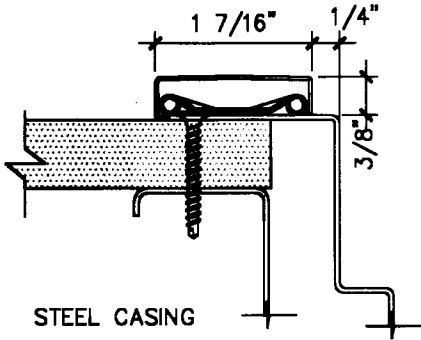


7 JAMB GLAZING



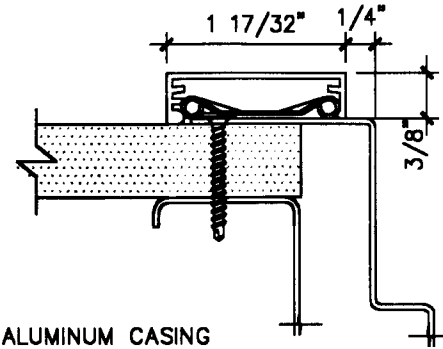
8 GLASS STOP (TA14)

 PREFINISHED STEEL DOOR FRAMES FRAME SCHEDULE	PRESENTED BY:	PROJECT:
		JOB#
		DATE:
	REV. DATE:	SHEET # OF



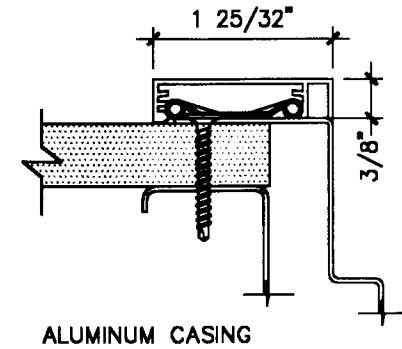
STEEL CASING

1 TA-8 CASING



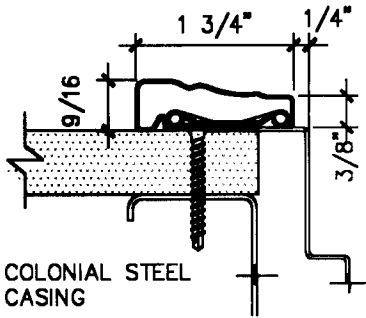
ALUMINUM CASING

2 TA-23 CASING



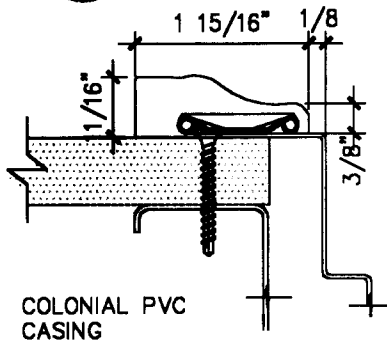
ALUMINUM CASING

3 TA-28 CASING



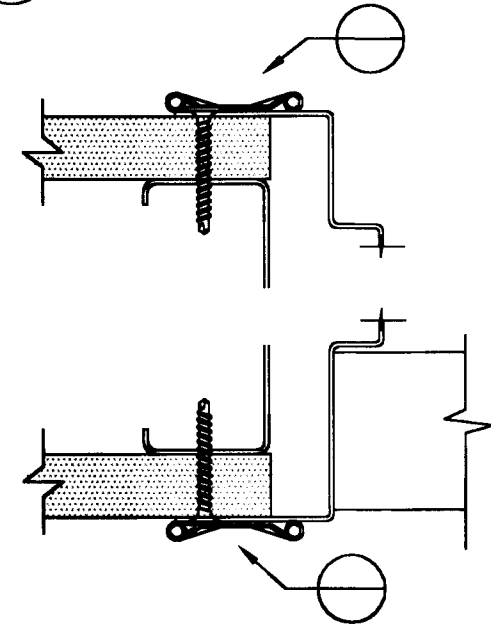
COLONIAL STEEL CASING

4 TA-30 CASING

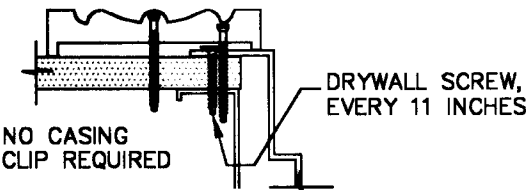


COLONIAL PVC CASING


5 TA-35 CASING



6 SPLIT CASING DESIGN

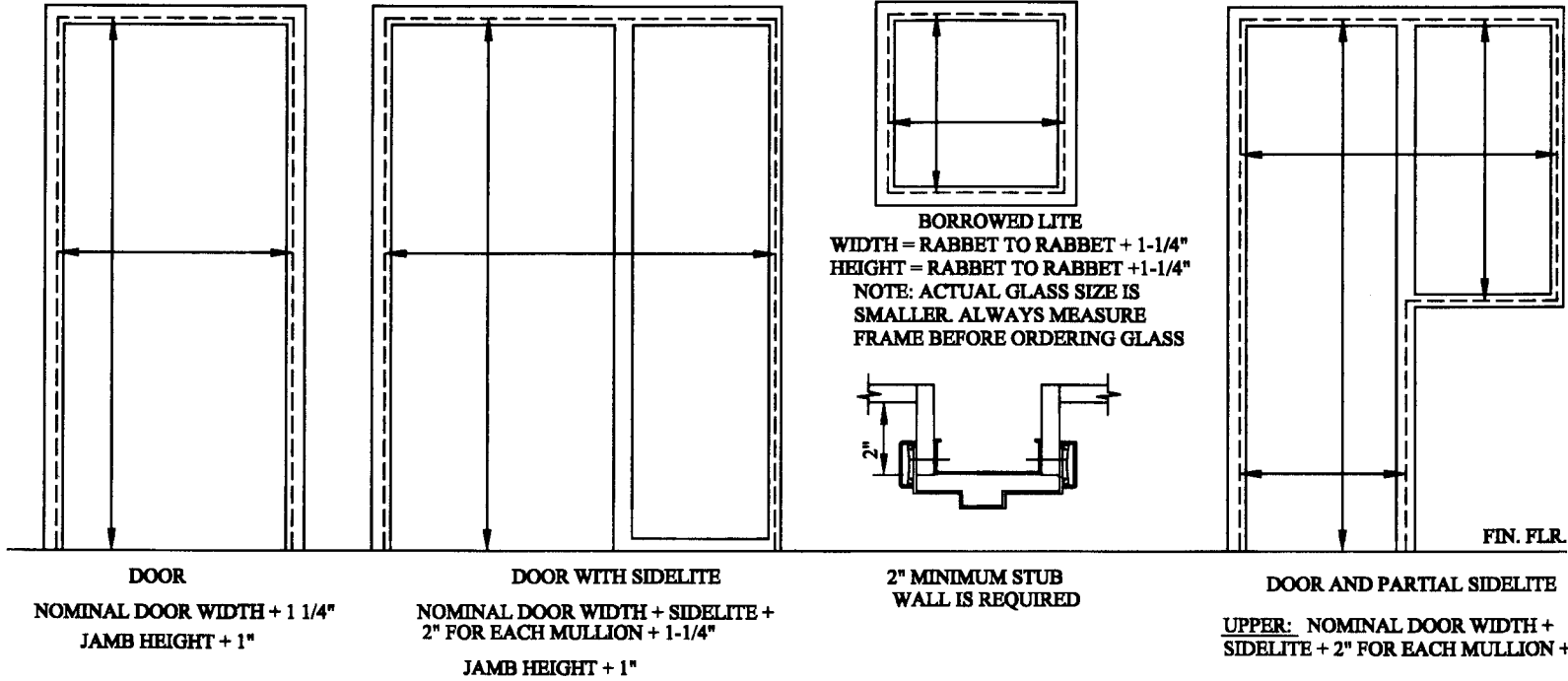


7 WOOD CASING BY OTHERS

 PREFINISHED STEEL DOOR FRAMES FRAME SCHEDULE	PRESENTED BY:	PROJECT:
		JOB#
		DATE:
		REV. DATE:


TIMELY FRAMING SPECIFICATIONS

ROUGH OPENING DIMENSIONS



RECOMMENDED FASTNERS:

WOOD OR METAL STUD DRYWALL FASTENERS BY GENERAL CONTRACTOR
 FOR METAL STUDS USE ' FINE THREAD ' DRYWALL SCREWS
 FOR WOOD STUDS USE ' COARSE THREAD ' DRYWALL SCREWS
 ALL FRAMES REQUIRE ONE FASTNER BESIDE EVERY CASING CLIP

 PREFINISHED STEEL DOOR FRAMES FRAME SCHEDULE	PRESENTED BY:	PROJECT:
		JOB#
		DATE:
	REV. DATE:	SHEET # OF